

poama

+

pamar

MANIGLIE
Handles 3

MANIGLIE PER PORTE SCORREVOLI
Sliding doors handles 67

MANIGLIONI PER PORTE
Large 73

CIONDOLI
Pendants 79

POMOLI
Knobs 83

PASSACAVI
Cable outlets 113

PASSAVETRO
Glass holder 129

TUBI E ACCESSORI
Tubes and accessories 133

PIEDINI
Feet 147

PORTABITI
Hooks 155

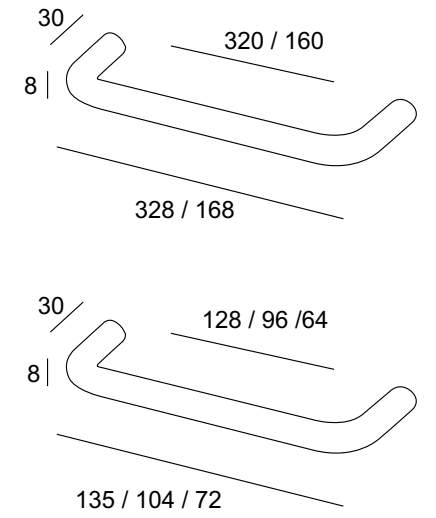
REGGIMENSOLE
Shelf holders 163

**MANIGLIE
HANDLES**



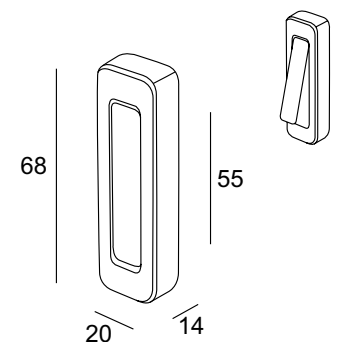
MN 183 /8

finiture/finishings: E130
nero opaco / mat black



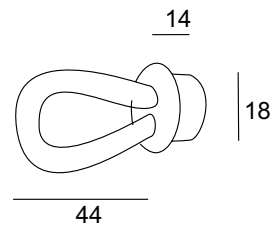
MN 295 Z

finiture/finishings: E101
alluminio opaco metallizzato /
mat metallized aluminium
G104
cromato lucido / bright chrome plated
G115
nichel lucido satinato / bright satin nickel



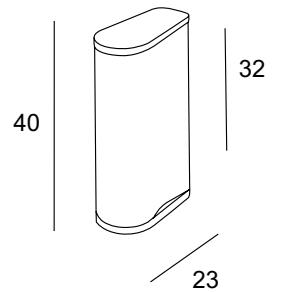
MN 400 Z

finiture/finishings: E101U119
alluminio opaco metallizzato con cordoncino in cuoio naturale /
mat metallized aluminium with natural stronger leather twist
E101U121
alluminio opaco metallizzato con cordoncino in cuoio marrone /
mat metallized aluminium with brown stronger leather twist



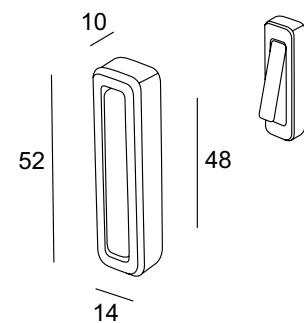
MN 566 Z

finiture/finishings: E130U102
nero opaco con cuoio nero /
mat black with black stronger leather



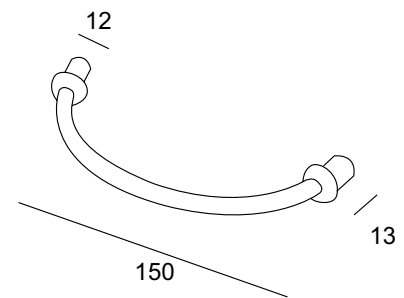
MN 503 Z

finiture/finishings: E101
alluminio opaco metallizzato / mat metallized aluminium
E221
bronzo opaco metallizzato / mat metallized bronze
G104
cromato lucido / bright chrome plated
G115
nichel lucido satinato / bright satin nickel



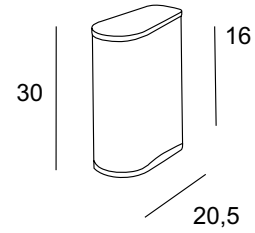
MN 569 U

finiture/finishings: U119E101
alluminio opaco metallizzato con cordoncino in cuoio naturale /
mat metallized aluminium with natural stronger leather twist
U121E101
alluminio opaco metallizzato con cordoncino in cuoio marrone /
mat metallized aluminium with brown stronger leather twist



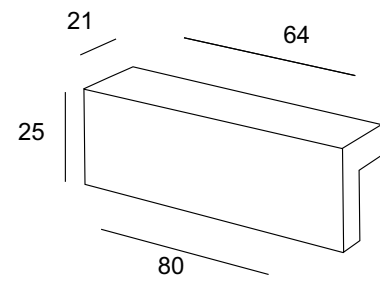
MN 591 Z

finiture/finishings: E130U102
 nero opaco con cuoio nero /
 mat black with black stronger leather



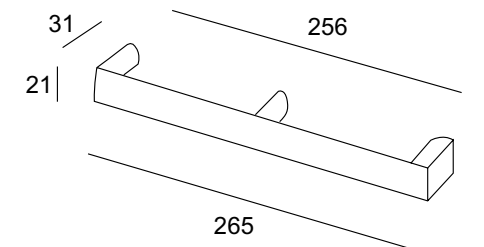
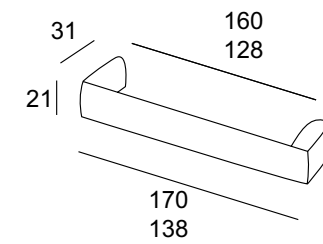
MN 646 Z

finiture/finishings: E101
 alluminio opaco metallizzato / mat metallized aluminium
 G104
 cromato lucido / bright chrome plated
 G124
 nichel lucido satinato con vernice trasparente lucido /
 bright satin nickel with bright transparent paint



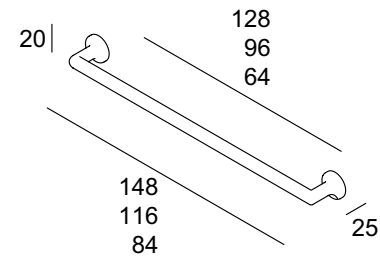
MN 680 Z

finiture/finishings: G115
 nichel lucido satinato / bright satin nickel



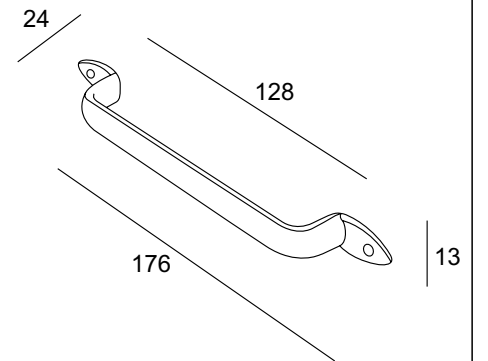
MN 682 Z

finiture/finishings: E215
alluminio metallizzato opaco con fondo /
mat metallized aluminium with primer



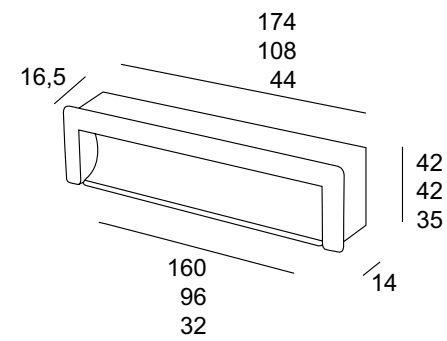
MN 693 Z

finiture/finishings: E130
nero opaco / mat black



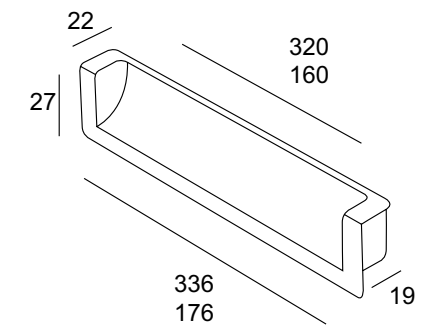
MN 689 Z

finiture/finishings: E101E101
alluminio metallizzato opaco / mat metallized aluminium
G115G115
nicel lucido satinato / bright satin nickel



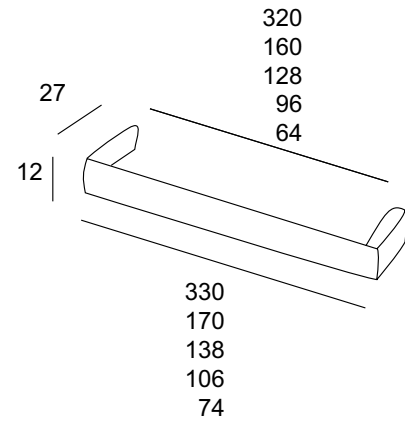
MN 732 I

finiture/finishings: E215
alluminio metallizzato opaco con fondo /
mat metallized aluminium with primer
E228
nero opaco con fondo / mat black with primer



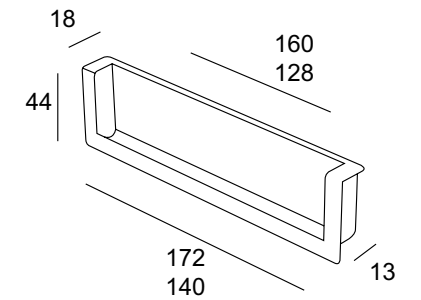
MN 735 Z

finiture/finishings: E101
alluminio metallizzato opaco / mat metallized aluminium
E130
nero opaco / mat black
G124
nicel lucido satinato con vernice trasparente lucido /
bright satin nickel with bright transparent paint



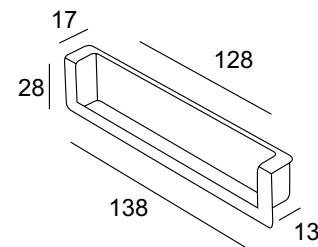
MN 748 Z

finiture/finishings: E215
alluminio metallizzato opaco con fondo /
mat metallized aluminium with primer
E228
nero opaco con fondo / mat black with primer



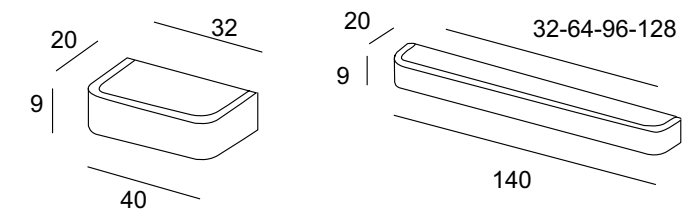
MN 743 Z

finiture/finishings: E215
alluminio metallizzato opaco con fondo /
mat metallized aluminium with primer
E228
nero opaco con fondo / mat black with primer



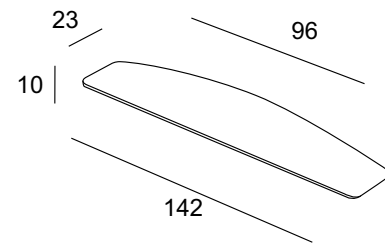
MN 751 Z

finiture/finishings: E101
alluminio metallizzato opaco / mat metallized aluminium
E130
nero opaco / mat black



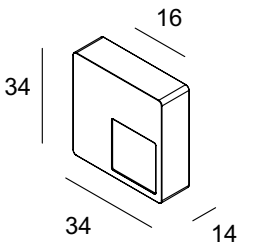
MN 753 Z

finiture/finishings: E101
alluminio metallizzato opaco / mat metallized aluminium



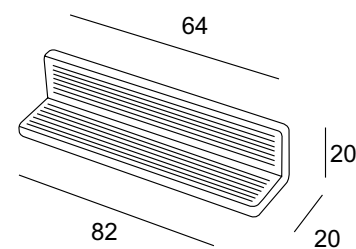
MN 795 Z

finiture/finishings: E230
acciaio opaco metallizzato con fondo /
mat metallized steel with primer



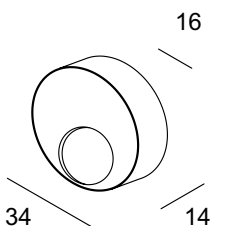
MN 768 Z

finiture/finishings: E228
nero opaco con fondo / mat black with primer



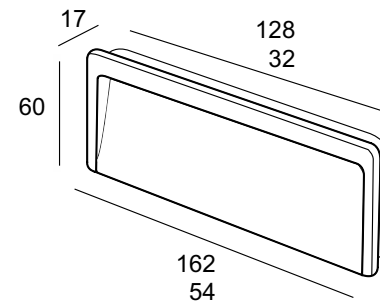
MN 796 Z

finiture/finishings: E230
acciaio opaco metallizzato con fondo /
mat metallized steel with primer



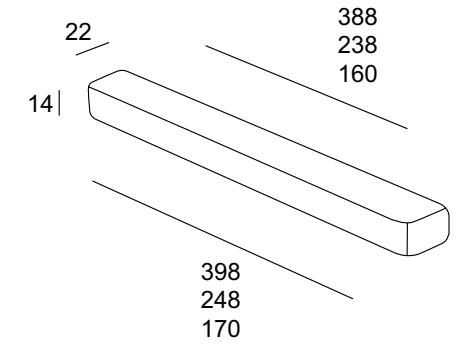
MN 800 Z

finiture/finishings: E215E215
 alluminio metallizzato opaco con fondo /
 mat metallized aluminium with primer
 G115G115
 nichel lucido satinato / bright satin nickel



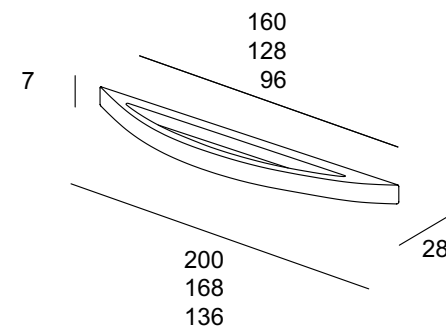
MN 846 Z

finiture/finishings: E215
 alluminio metallizzato opaco con fondo /
 mat metallized aluminium with primer
 E237
 bronzo opaco metallizzato con fondo /
 mat metallized bronze with primer



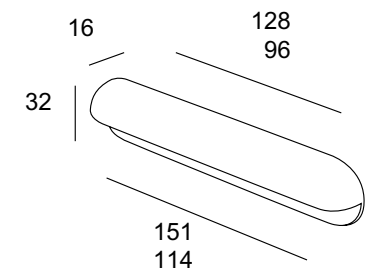
MN 803 Z

finiture/finishings: E230
 acciaio opaco metallizzato con fondo /
 mat metallized steel with primer



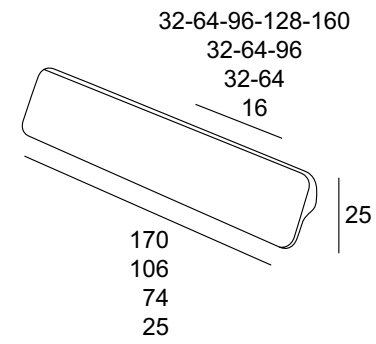
MN 867 Z

finiture/finishings: E230
 acciaio opaco metallizzato con fondo /
 mat metallized steel with primer



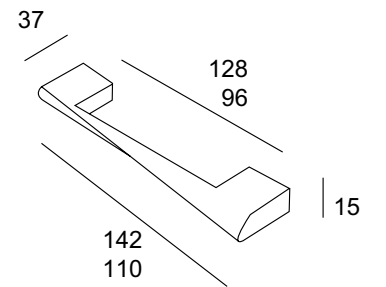
MN 868 Z

finiture/finishings: E101
 alluminio metallizzato opaco / mat metallized aluminium
 G115
 nichel lucido satinato / bright satin nickel



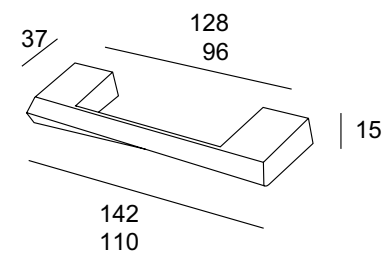
MN 870 Z

finiture/finishings: E230
 acciaio opaco metallizzato con fondo /
 mat metallized steel with primer



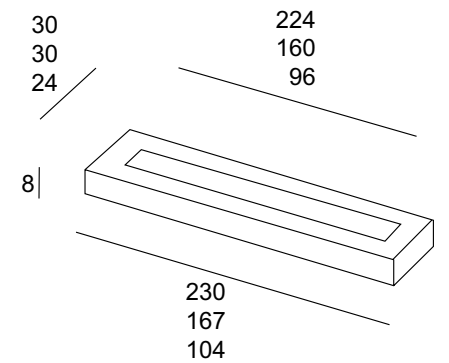
MN 869 Z

finiture/finishings: E230
 acciaio opaco metallizzato con fondo /
 mat metallized steel with primer



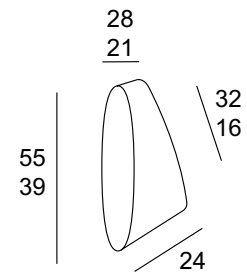
MN 875 Z

finiture/finishings: E230
 acciaio opaco metallizzato con fondo /
 mat metallized steel with primer



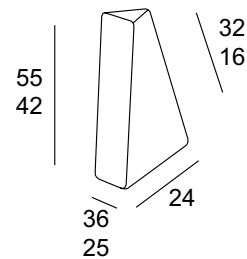
MN 876 Z

finiture/finishings: E230
acciaio opaco metallizzato con fondo /
mat metallized steel with primer



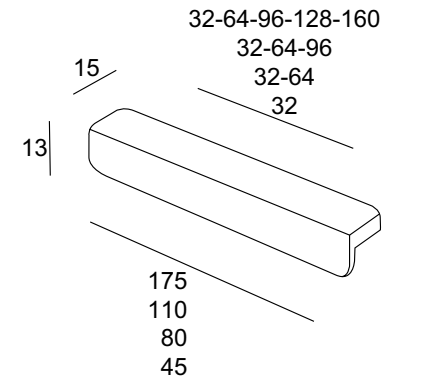
MN 877 Z

finiture/finishings: E230
acciaio opaco metallizzato con fondo /
mat metallized steel with primer



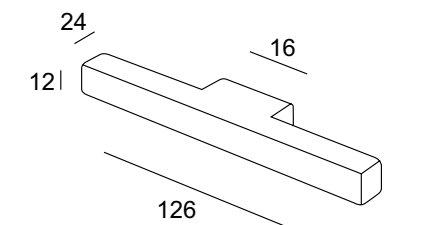
MN 886 Z

finiture/finishings: E101
alluminio metallizzato opaco / mat metallized aluminium
E130
nero opaco / mat black



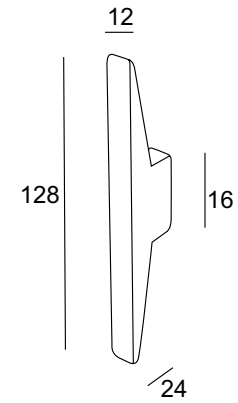
MN 890 Z

finiture/finishings: E230
acciaio opaco metallizzato con fondo /
mat metallized steel with primer



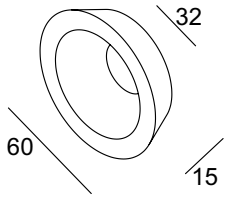
MN 891 Z

finiture/finishings: E230
acciaio opaco metallizzato con fondo /
mat metallized steel with primer



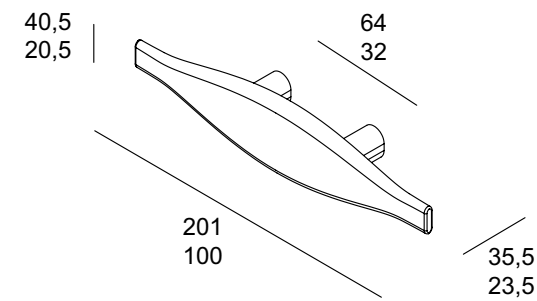
MN 895 Z

finiture/finishings: E230
acciaio opaco metallizzato con fondo /
mat metallized steel with primer



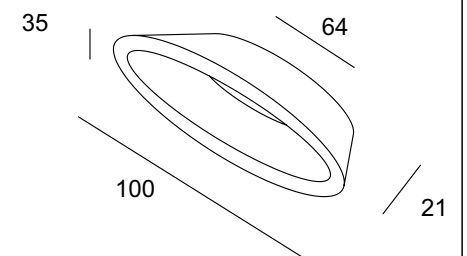
MN 894 Z

finiture/finishings: E228
nero opaco con fondo / mat black with primer



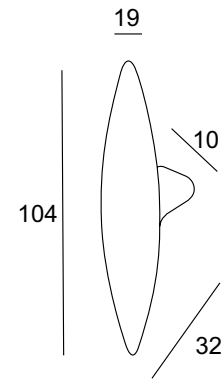
MN 896 Z

finiture/finishings: E230
acciaio opaco metallizzato con fondo /
mat metallized steel with primer



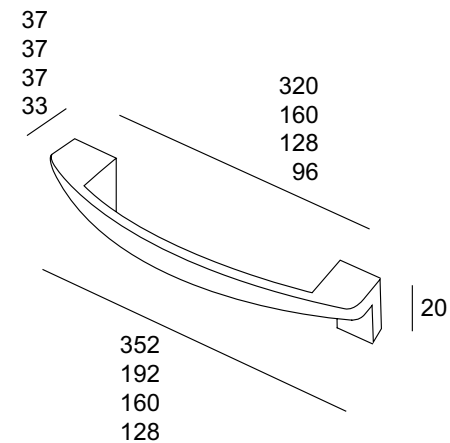
MN 900 Z

finiture/finishings: E216
 metallizzato argento mat con fondo /
 mat metallized silver with primer



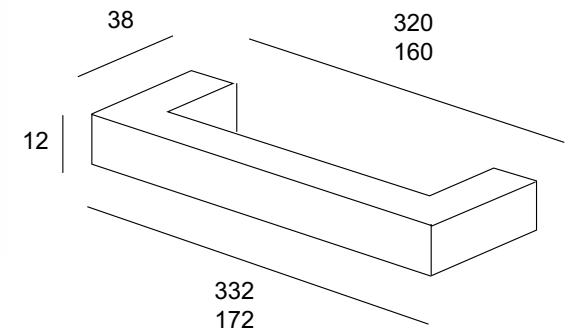
MN 905 Z

finiture/finishings: E228
 nero opaco con fondo / mat black with primer



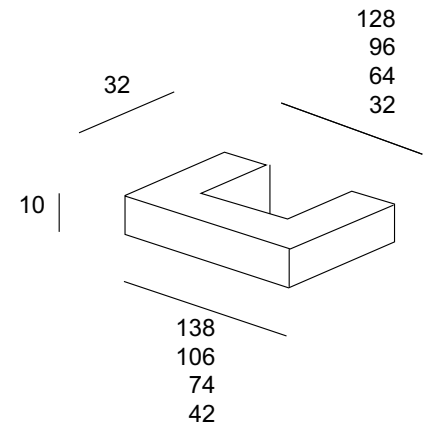
MN 934 Z

finiture/finishings: E101
 alluminio metallizzato opaco / mat metallized aluminium



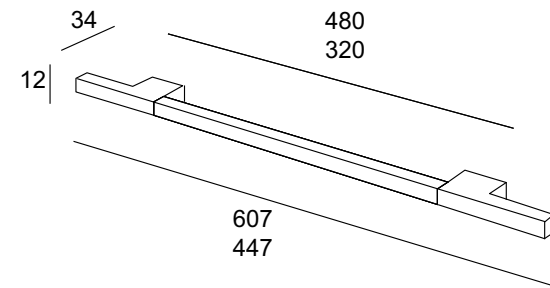
MN 935 Z

finiture/finishings: E101
 alluminio metallizzato opaco / mat metallized aluminium



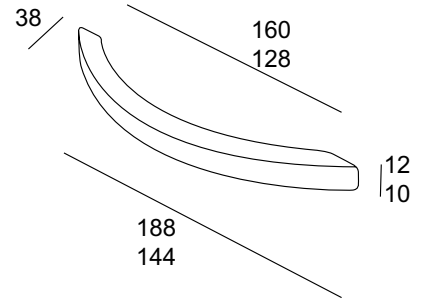
MN 940 Z

finiture/finishings: E228
 nero opaco con fondo / mat black with primer



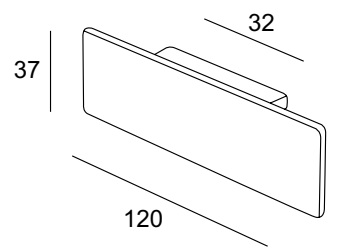
MN 943 Z

finiture/finishings: E230
 acciaio opaco metallizzato con fondo /
 mat metallized steel with primer



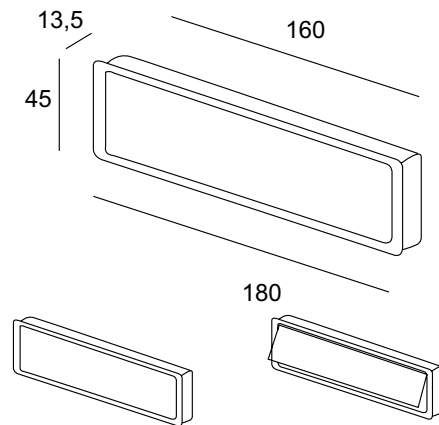
MN 958 Z

finiture/finishings: E228
 nero opaco con fondo / mat black with primer
 G115
 nichel lucido satinato / bright satin nickel



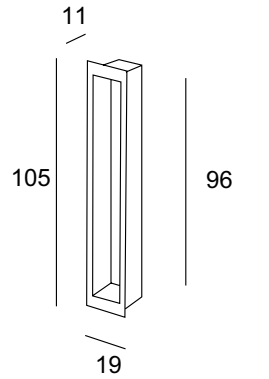
MN 959 Z

finiture/finishings: C115
nichel lucido satinato / bright satin nickel



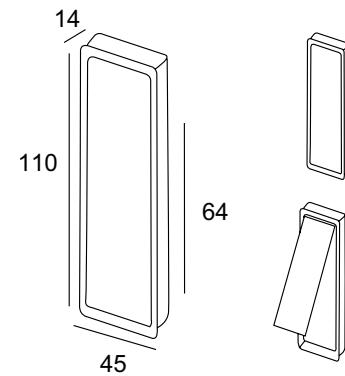
MN 1019 Z

finiture/finishings: E215
alluminio metallizzato opaco con fondo /
mat metallized aluminium with primer



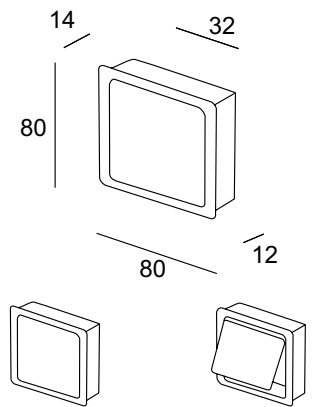
MN 1010 Z

finiture/finishings: C115
nichel lucido satinato / bright satin nickel



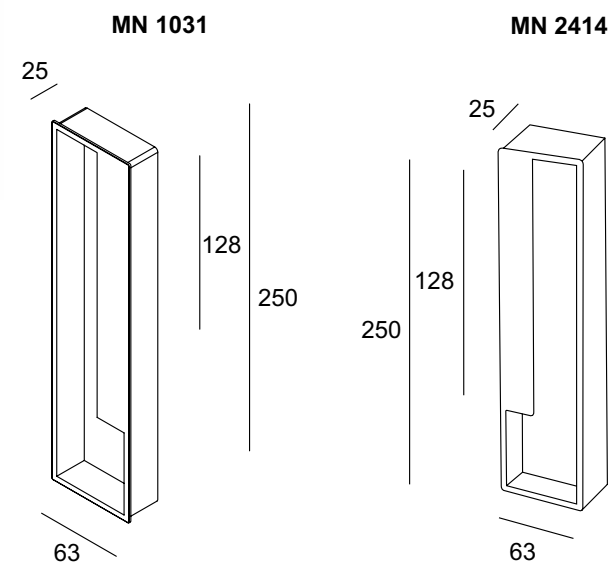
MN 1025 Z

finiture/finishings: C115
nichel lucido satinato / bright satin nickel



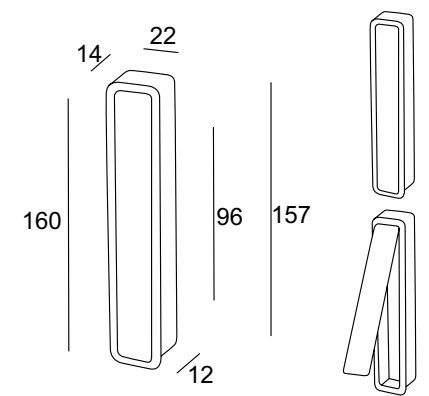
MN 1031 Z (right)
MN 2414 Z (left)

finiture/finishings: E215E215
 alluminio metallizzato opaco con fondo /
 mat metallized aluminium with primer
 E237E237
 bronzo opaco metallizzato con fondo /
 mat metallized bronze with primer



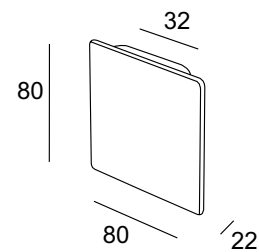
MN 1032 Z

finiture/finishings: E215
 alluminio metallizzato opaco con fondo /
 mat metallized aluminium with primer
 E228
 nero opaco con fondo / mat black with primer
 G115
 nichel lucido satinato / bright satin nickel



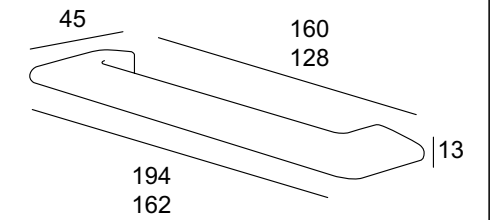
MN 1051 Z

finiture/finishings: E228
 nero opaco con fondo / mat black with primer
 G115
 nichel lucido satinato / bright satin nickel



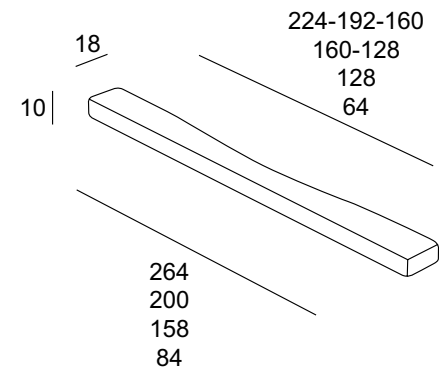
MN 1087 Z

finiture/finishings: G104
 cromato lucido / bright chrome plated



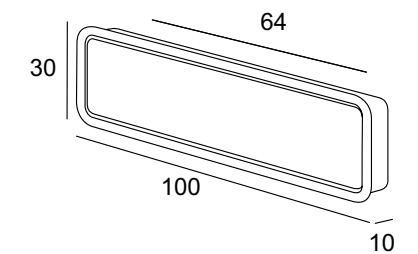
MN 1060 Z

finiture/finishings: E101
 alluminio metallizzato opaco / mat metallized aluminium
 G104
 cromato lucido / bright chrome plated
 G124
 nichel lucido satinato con vernice trasparente lucido /
 bright satin nickel with bright transparent paint



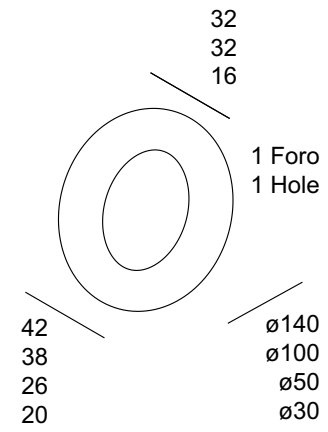
MN 1106 Z

finiture/finishings: G115
 nichel lucido satinato /
 bright satin nickel



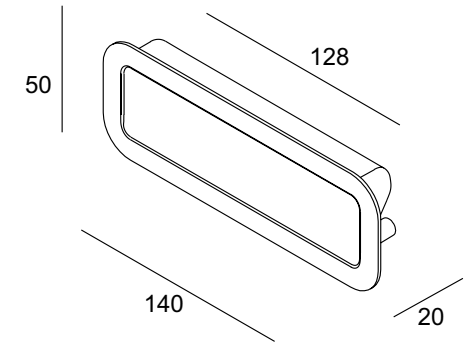
MN 1109 Z

finiture/finishings: G104
cromato lucido / bright chrome plated



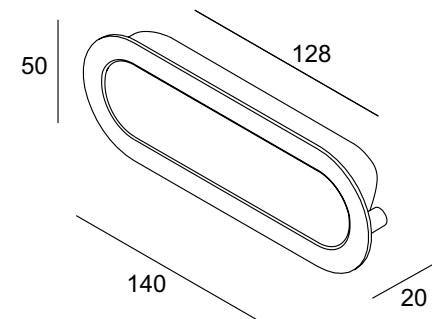
MN 1115 Z

finiture/finishings: E228
nero opaco con fondo / mat black with primer



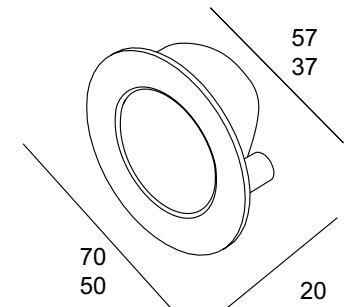
MN 1114 Z

finiture/finishings: E215
alluminio metallizzato opaco con fondo /
mat metallized aluminium with primer



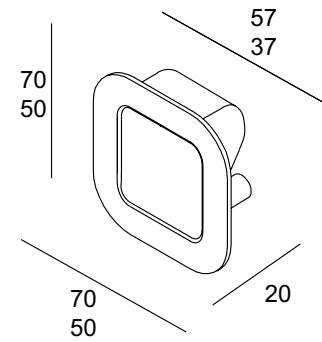
MN 1116 Z

finiture/finishings: E215
alluminio metallizzato opaco con fondo /
mat metallized aluminium with primer



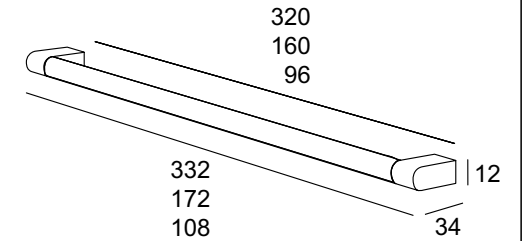
MN 1117 Z

finiture/finishings: E228
 nero opaco con fondo / mat black with primer



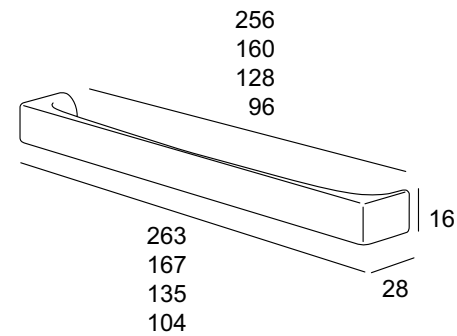
MN 1150 Z

finiture/finishings: G115
 nichel lucido satinato / bright satin nickel



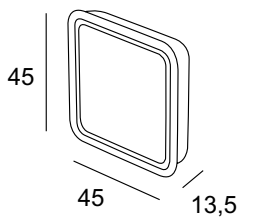
MN 1145 Z

finiture/finishings: G104
 cromato lucido / bright chrome plated
 G115
 nichel lucido satinato / bright satin nickel



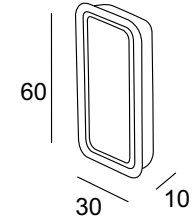
MN 1160 Z

finiture/finishings: G115
 nichel lucido satinato / bright satin nickel



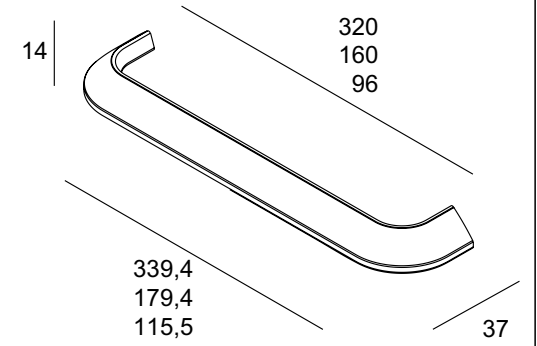
MN 1161 Z

finiture/finishings: E101
alluminio metallizzato opaco / mat metallized aluminium



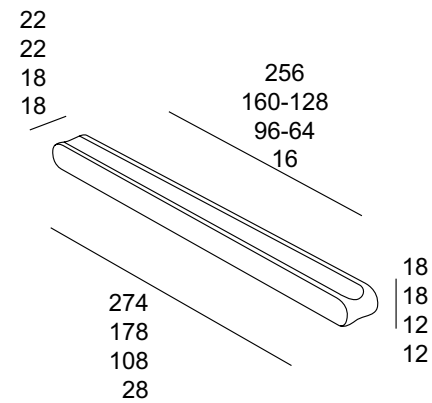
MN 1174 Z

finiture/finishings: E130
nero opaco / mat black
G104
cromato lucido / bright chrome plated



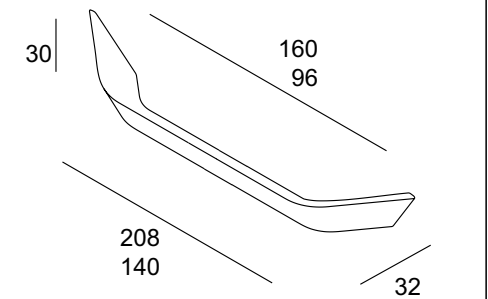
MN 1172 Z

finiture/finishings: E130
nero opaco / mat black
GC011
cromato lucido / bright chrome plated
GN020
nicel lucido satinato con vernice trasparente lucido /
bright satin nickel with bright transparent paint



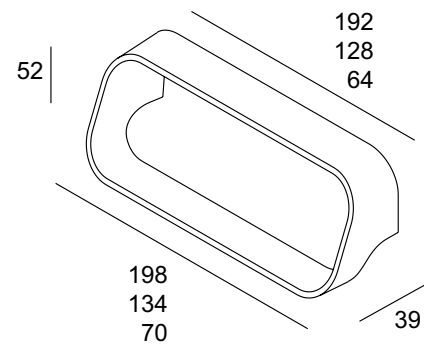
MN 1175 Z

finiture/finishings: E130
nero opaco / mat black



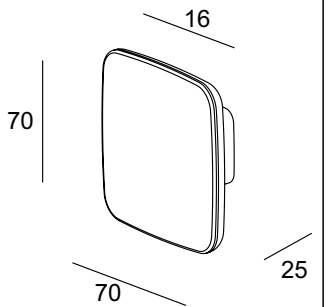
MN 1177 Z

finiture/finishings: E228
nero opaco con fondo / mat black with primer



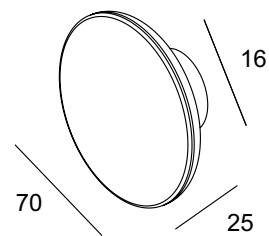
MN 1180 Z

finiture/finishings: E228
nero opaco con fondo / mat black with primer



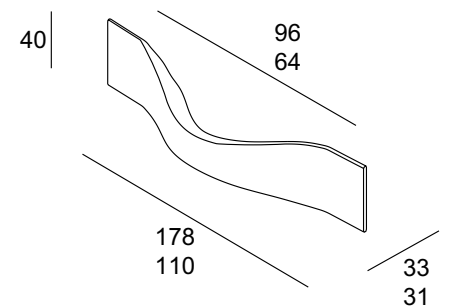
MN 1179 Z

finiture/finishings: E228
nero opaco con fondo / mat black with primer



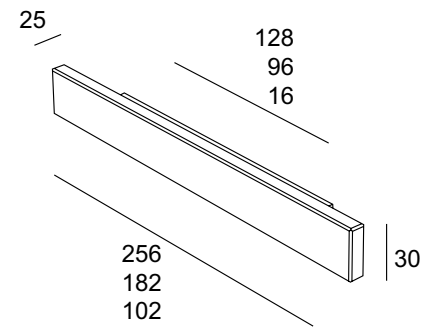
MN 1191 Z

finiture/finishings: G104
cromato lucido / bright chrome plated



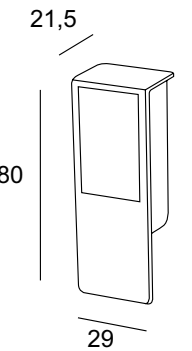
MN 2024 V

finiture/finishings: Y0557
inox satinato con vetro trasparente extrachiaro /
satin stainless steel extralight transparent glass



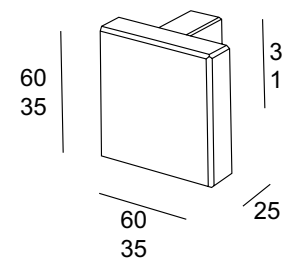
MN 2032 Z

finiture/finishings: E228
nero opaco con fondo / mat black with primer
GC011
cromato lucido / bright chrome plated



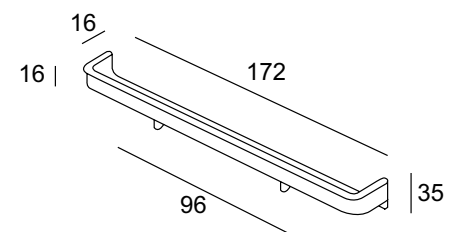
MN 2027 V

finiture/finishings: Y0557
inox satinato con vetro trasparente extrachiaro /
satin stainless steel extralight transparent glass



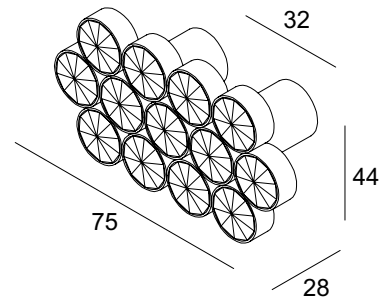
MN 2068 Z

finiture/finishings: E215
alluminio metallizzato opaco con fondo /
mat metallized aluminium with primer
GC011
cromato lucido / bright chrome plated



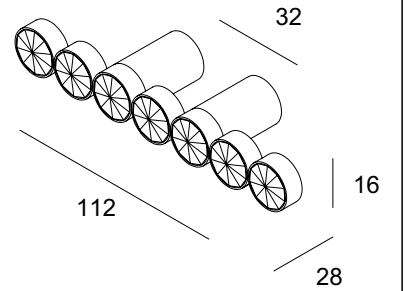
MN 2078 Z

finiture/finishings: Y0672
cromato lucido con cristallo trasparente /
bright chrome plated with transparent crystal



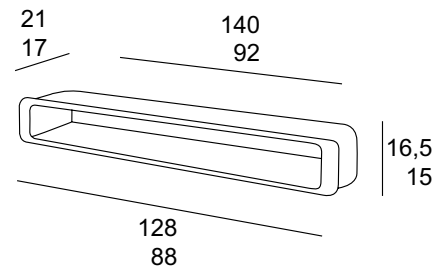
MN 2091 Z

finiture/finishings: Y0672
cromato lucido con cristallo trasparente /
bright chrome plated with transparent crystal



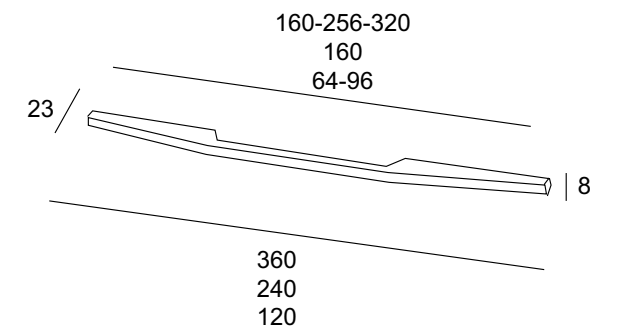
MN 2079 Z

finiture/finishings: E215
alluminio metallizzato opaco con fondo /
mat metallized aluminium with primer



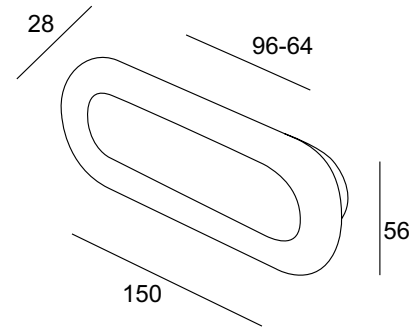
MN 2165 Z

finiture/finishings: G104
cromato lucido / bright chrome plated



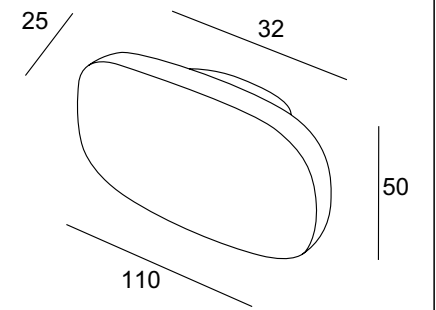
MN 2182 AA

finiture/finishings: AA101
 bianco lucido / gloss white
 AA102
 nero opaco / mat black
 AA103
 grigio opaco / mat grey
 PORCELLANA / PORCELAIN



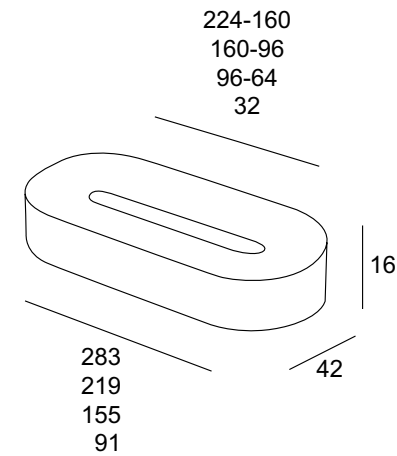
MN 2184 AA

finiture/finishings: AA101
 bianco lucido / gloss white
 AA108
 bianco lucido con decoro oro / gloss white with gold decoration
 AA109
 bianco lucido con decoro platino /
 gloss white with platinum decoration
 PORCELLANA / PORCELAIN



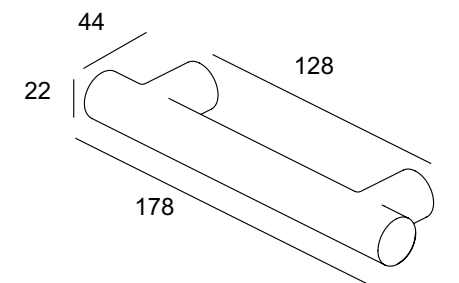
MN 2183 AA

finiture/finishings: AA102
 nero opaco / mat black
 PORCELLANA / PORCELAIN



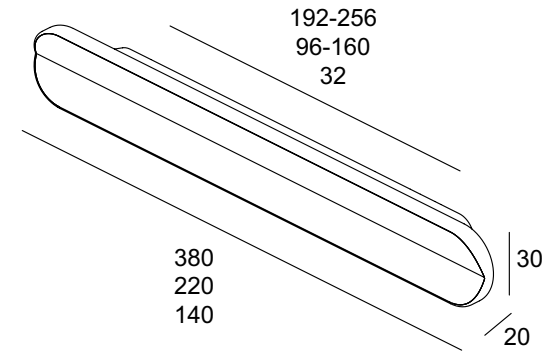
MN 2186 AA

finiture/finishings: AA101
 bianco lucido / gloss white
 PORCELLANA / PORCELAIN



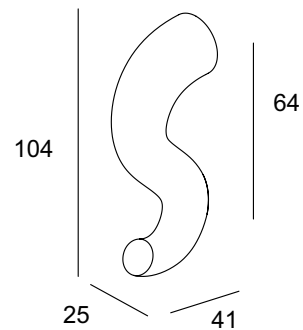
MN 2202 AA

finiture/finishings: AA101
 bianco lucido / gloss white
 AA116
 bianco lucido con decoro magenta /
 gloss white with magenta decoration
 AA117
 bianco lucido con decoro blu /
 gloss white with blue decoration
 PORCELLANA / PORCELAIN



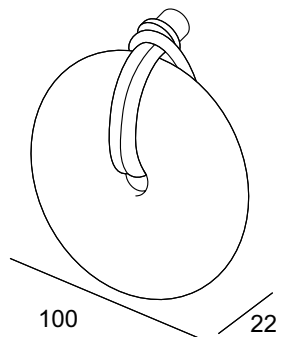
MN 2204 AA

finiture/finishings: AA101
 bianco lucido / gloss white
 PORCELLANA / PORCELAIN



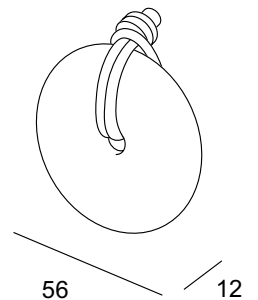
MN 2205 AA

finiture/finishings: AA120
 bianco lucido con cordoncino in cuoio naturale
 e attacco cromato lucido /
 gloss white with natural leather twist
 and bright chrome plated connection
 AA121
 craquelè tortora lucido con cordoncino cuoio testa di moro
 e attacco cromato lucido /
 gloss beige craquelè with dark brown leather twist
 and bright chrome plated connection
 AA122
 craquelè nero lucido con cordoncino cuoio nero
 e attacco cromato lucido /
 gloss black craquelè with black leather twist
 and bright chrome plated connection
 PORCELLANA / PORCELAIN



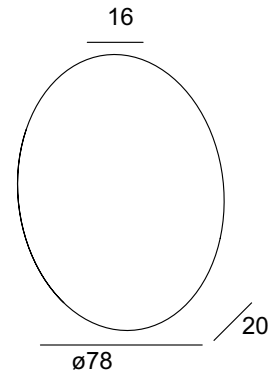
MN 2206 AA

finiture/finishings: AA123
 bianco lucido con cordoncino in cuoio naturale
 e attacco cromato lucido /
 gloss white with natural leather twist
 and bright chrome plated connection
 AA124
 craquelè tortora lucido con cordoncino cuoio testa di moro
 e attacco cromato lucido /
 gloss beige craquelè with dark brown leather twist
 and bright chrome plated connection
 AA125
 craquelè nero lucido con cordoncino cuoio nero
 e attacco cromato lucido /
 gloss black craquelè with black leather twist
 and bright chrome plated connection
 PORCELLANA / PORCELAIN



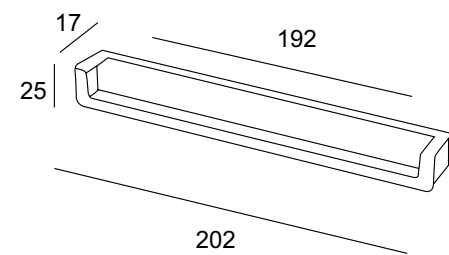
MN 2208 AA

finiture/finishings: AA101
 bianco lucido / gloss white
 PORCELLANA / PORCELAIN



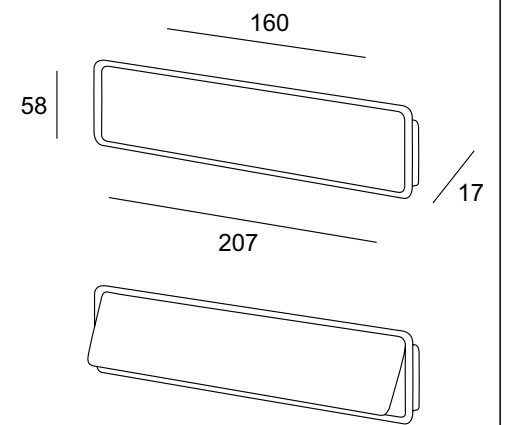
MN 2229 Z

finiture/finishings: E215
 alluminio metallizzato opaco con fondo /
 mat metallized aluminium with primer



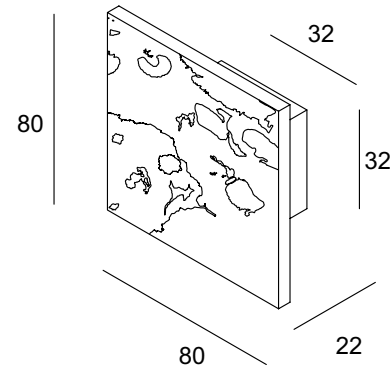
MN 2242 Z

finiture/finishings: G115
 nichel lucido satinato / bright satin nickel



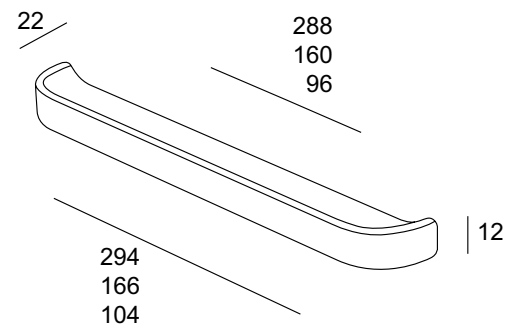
MN 2273 Z

finiture/finishings: G102
 bronzo sfumato opaco / mat shaded bronze



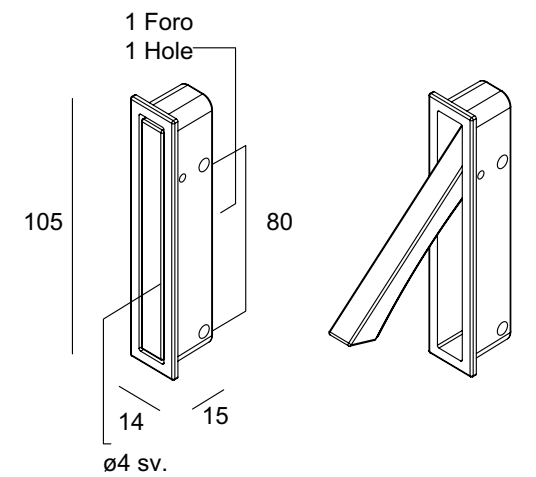
MN 2282 Z

finiture/finishings: G115
 nichel lucido satinato / bright satin nickel



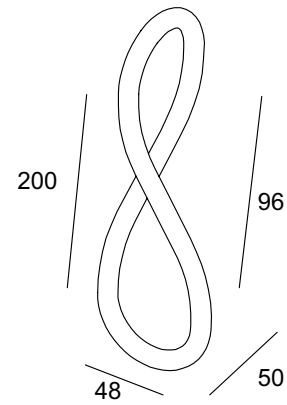
MN 2313 Z

finiture/finishings: E2280102
 nero opaco con fondo con guarnizione nera /
 mat black with primer with black rubber gasket
 E2290102
 bianco opaco con fondo con guarnizione nera /
 mat white with primer with black rubber gasket
 G1150102
 nichel lucido satinato con guarnizione nera /
 bright satin nickel with black rubber gasket



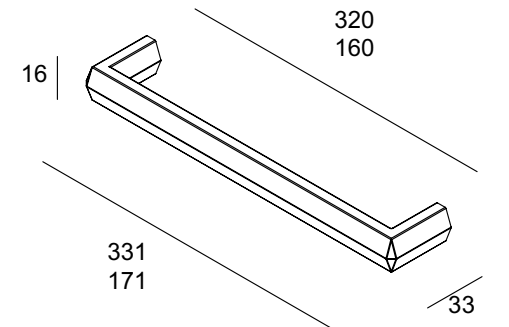
MN 2445 Z

finiture/finishings: G104
cromato lucido / bright chrome plated



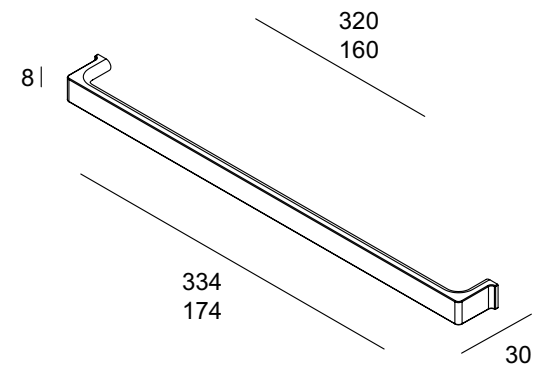
MN 2486 Z

finiture/finishings: E130
nero opaco / mat black
G104
cromato lucido / bright chrome plated



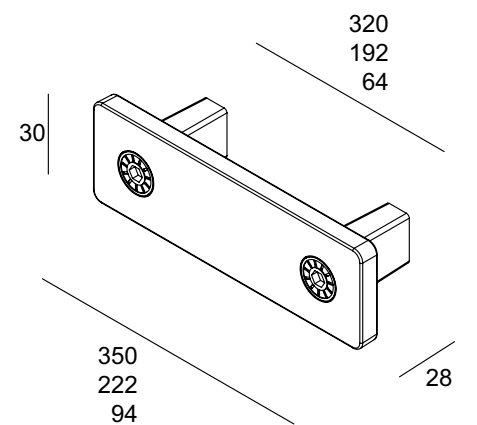
MN 2461 Z

finiture/finishings: E130
nero opaco / mat black
G115
nichel lucido satinato / bright satin nickel



MN 2492 Z

finiture/finishings: E230
acciaio opaco metallizzato con fondo /
mat metallized steel with primer

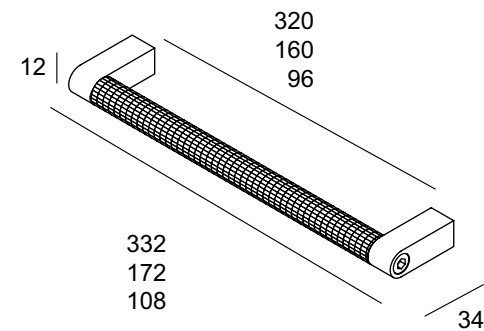


MN 2504 Z

finiture/finishings: E228E228
 nero opaco con fondo / mat black with primer
 G115X102
 nichel lucido satinato con tubo in acciaio inox godronato /
 bright satin nickel with knurled stainless steel tube

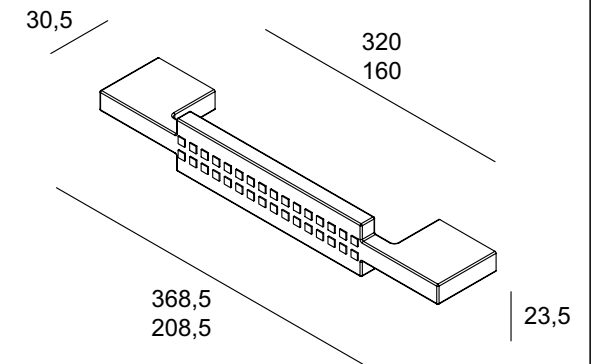


vite in acciaio inox - inox screw



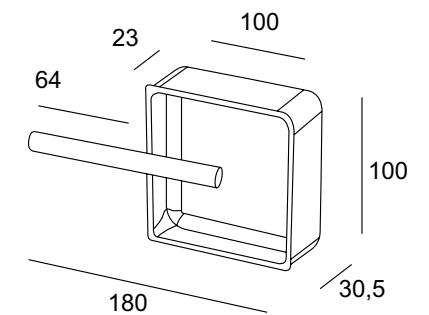
MN 2511 Z

finiture/finishings: E228
 nero opaco con fondo / mat black with primer



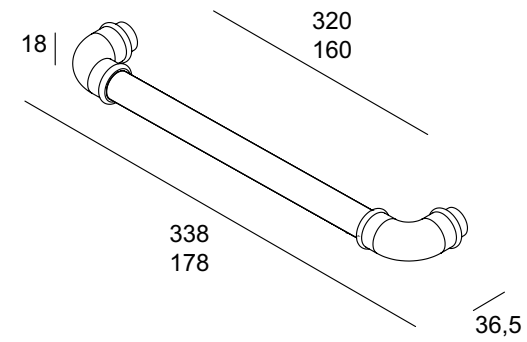
MN 2524 Z

finiture/finishings: E466E237
 oro metallizzato special con fondo
 con vaschetta metallizzato bronzo opaco con fondo /
 special metallized gold with primer
 with mat metallized bronze with primer bowl



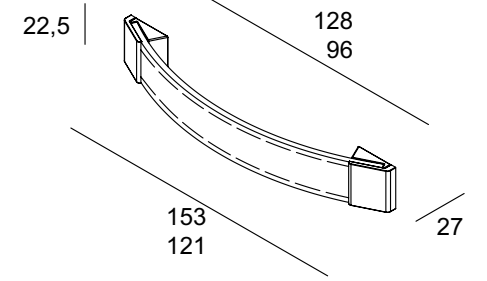
MN 2529 Z

finiture/finishings: E228E228
 nero opaco con fondo /
 mat black with primer



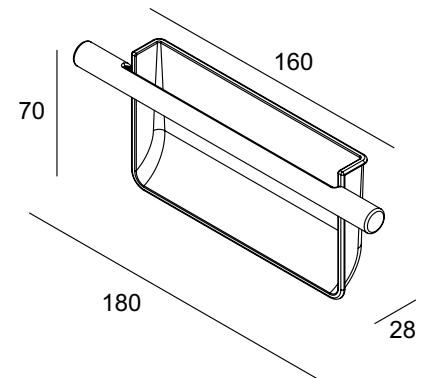
MN 2564 Z

finiture/finishings: E237U111
 bronzo opaco metallizzato con fondo con cuoio caffè /
 mat metallized bronze with primer with coffee stronger leather



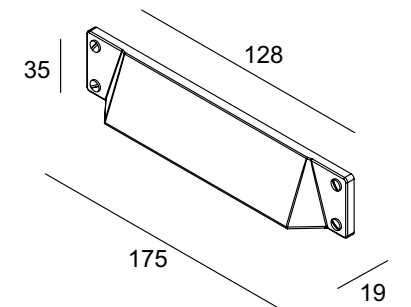
MN 2555 Z

finiture/finishings: G104E237
 cromato lucido con vaschetta metallizzato bronzo opaco
 con fondo /
 brigh chrome plated with mat metallized bronze
 with primer bowl



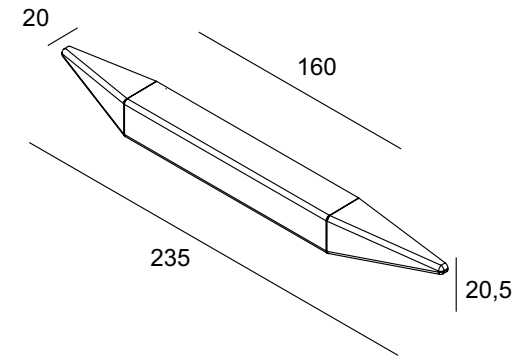
MN 2573 Z

finiture/finishings: E228
 nero opaco con fondo / mat black with primer



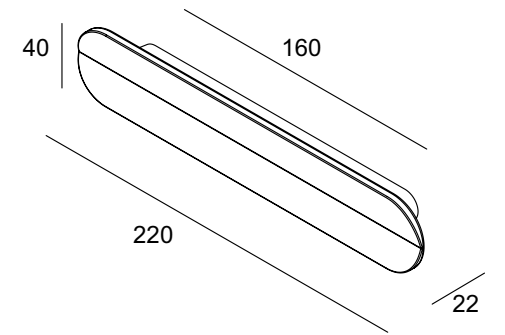
MN 2576 Z

finiture/finishings: E228
nero opaco con fondo / mat black with primer



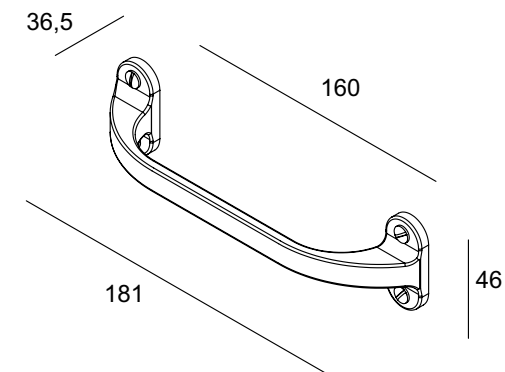
MN 2582 Z

finiture/finishings: E228
nero opaco con fondo / mat black with primer



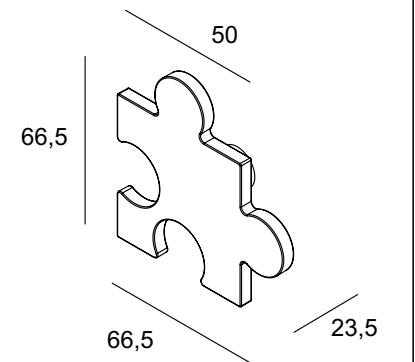
MN 2579 Z

finiture/finishings: G102
bronzo sfumato opaco / mat shaded bronze



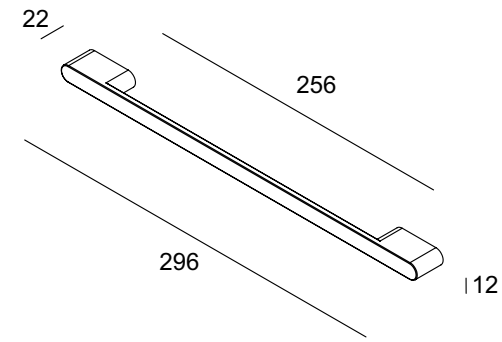
MN 2588 Z

finiture/finishings: E228
nero opaco con fondo / mat black with primer



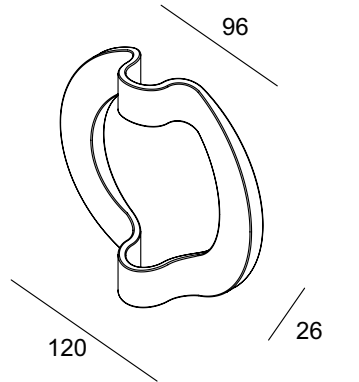
MN 2590 Z

finiture/finishings: E228
nero opaco con fondo / mat black with primer



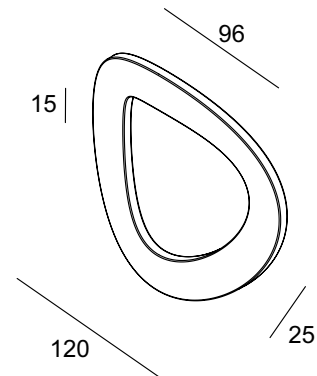
MN 2605 Z

finiture/finishings: G104
cromato lucido / bright chrome plated



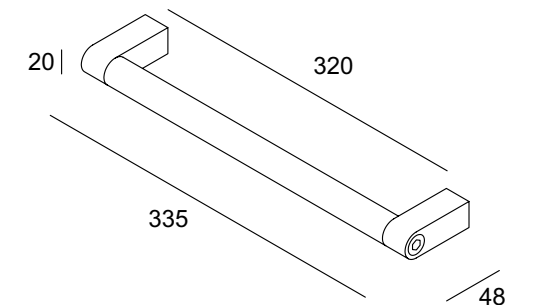
MN 2604 Z

finiture/finishings: G104
cromato lucido / bright chrome plated



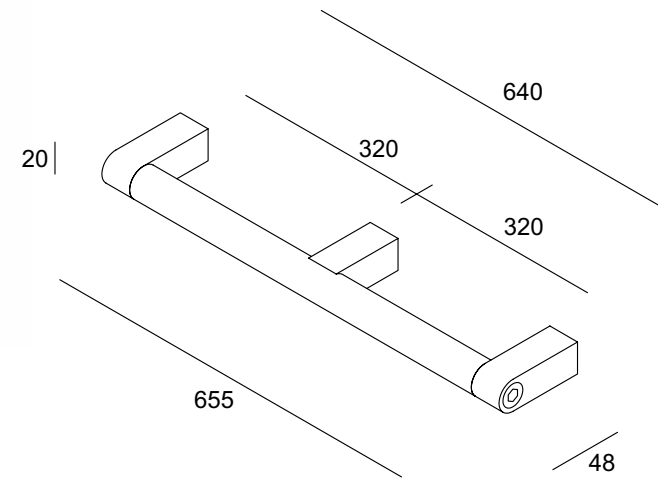
MN 2623 Z

finiture/finishings: E202
nero opaco / mat black



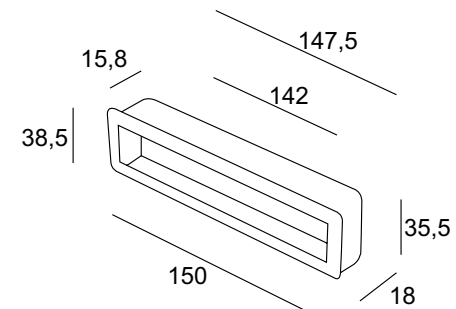
MN 2624 Z

finiture/finishings: E202
nero opaco / mat black



MP 756 Z

finiture/finishings: E215
alluminio metallizzato opaco con fondo /
mat metallized aluminium with primer
E228
nero opaco con fondo / mat black with primer

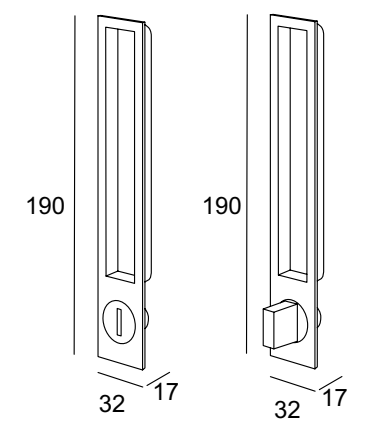


**MANIGLIE PER PORTE SCORREVOLI
SLIDING DOORS HANDLES**



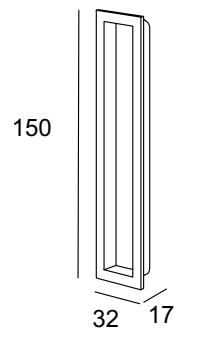
MN 1096 Z

finiture/finishings: E215
alluminio metallizzato opaco con fondo /
mat metallized aluminium with primer
E228
nero opaco con fondo / mat black with primer



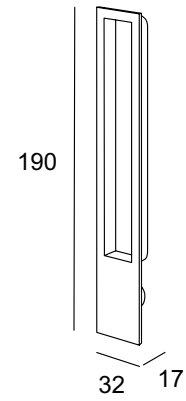
MN 1097 Z

finiture/finishings: E215
alluminio metallizzato opaco con fondo /
mat metallized aluminium with primer
E228
nero opaco con fondo / mat black with primer



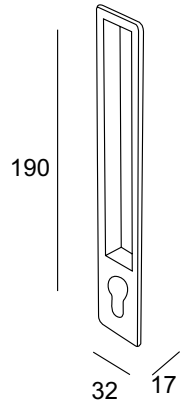
MN 1098 Z

finiture/finishings: E215
alluminio metallizzato opaco con fondo /
mat metallized aluminium with primer
E228
nero opaco con fondo / mat black with primer



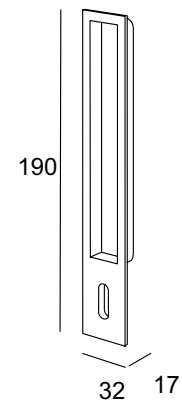
MN 1100 Z

finiture/finishings: E215
alluminio metallizzato opaco con fondo /
mat metallized aluminium with primer
E228
nero opaco con fondo / mat black with primer



MN 1099 Z

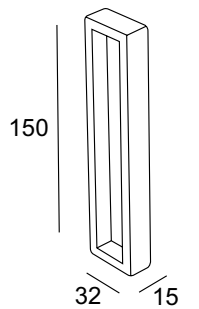
finiture/finishings: E215
alluminio metallizzato opaco con fondo /
mat metallized aluminium with primer
E228
nero opaco con fondo / mat black with primer



MN 1158 Z

finiture/finishings: E215
alluminio metallizzato opaco con fondo /
mat metallized aluminium with primer
E228
nero opaco con fondo / mat black with primer

kit per fissaggio vetro incluso
included glass fixing kit

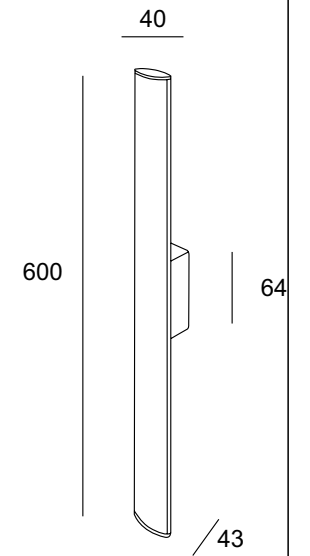


**MANIGLIONI PER PORTE
LARGE**



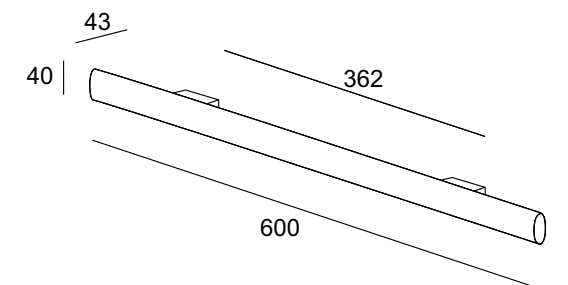
MN 949 I

finiture/finishings: E228
nero opaco con fondo / mat black with primer



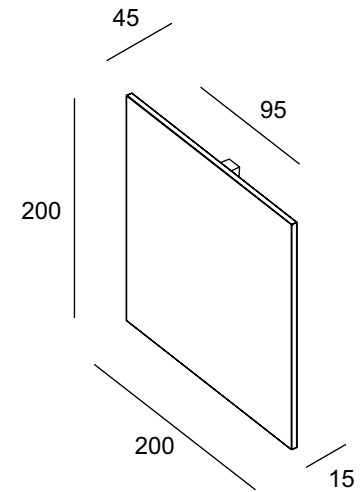
MN 951 I

finiture/finishings: E228
nero opaco con fondo / mat black with primer



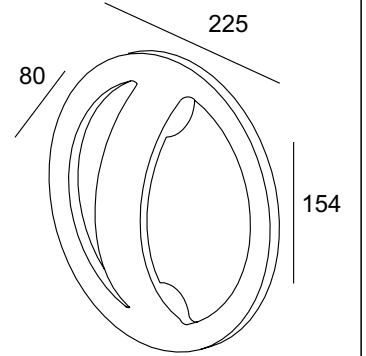
MN 2033 Z BACK TO BACK

finiture/finishings: G104
cromato lucido / bright chrome plated



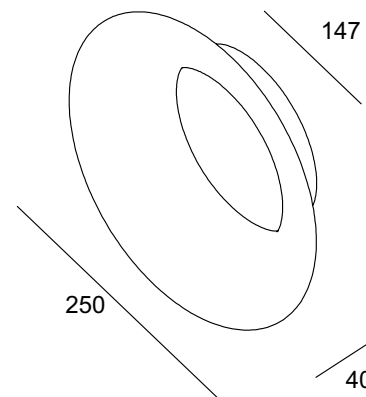
MN 2047 Z BACK TO BACK

finiture/finishings: G104
cromato lucido / bright chrome plated
G172
cromo mat / mat chrome



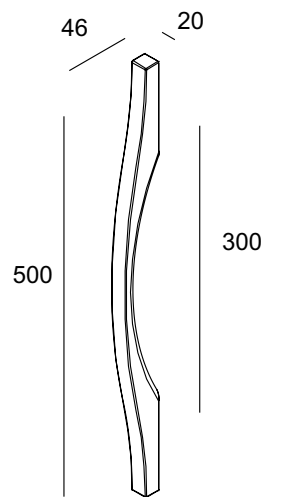
MN 2035 Z BACK TO BACK

finiture/finishings: G104
cromato lucido / bright chrome plated



MN 2213 Z BACK TO BACK

finiture/finishings: G104
cromato lucido / bright chrome plated

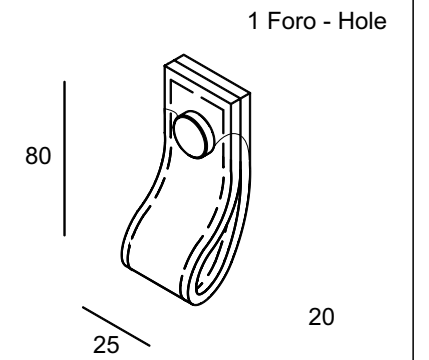


**CIONDOLI
PENDANTS**



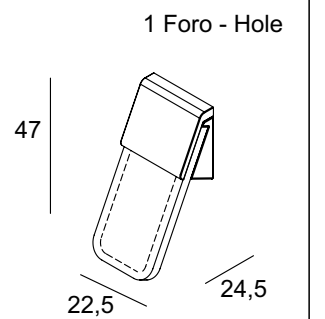
CI 232 U

finiture/finishings: E130U102
nero opaco con cuoio nero /
mat black with black stronger leather
C102U203
bronzo sfumato opaco con cuoio caramello /
mat shaded bronze with caramel stronger leather



CI 237 Z

finiture/finishings: E237U111
bronzo opaco metallizzato con fondo con cuoio caffè /
mat metallized bronze with primer with coffee stronger leather

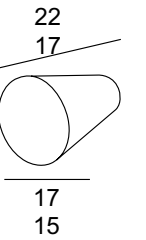


**POMOLI
KNOBS**



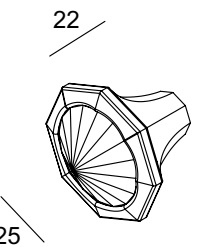
PO 003 O

finiture/finishings: E101
alluminio metallizzato opaco / mat metallized aluminium
E130
nero opaco / mat black



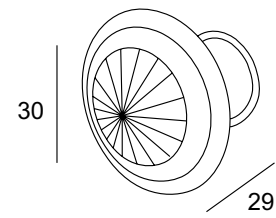
PO 192 Z

finiture/finishings: G140C101
bagno oro 24 KT con cristallo trasparente /
gold plated 24 KT with transparent crystal



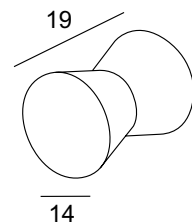
PO 194 Z

finiture/finishings: G139C101
 argento vecchio opaco con cristallo trasparente /
 mat old silver with transparent crystal
 G140C101
 bagno oro 24 KT con cristallo trasparente /
 gold plated 24 KT with transparent crystal



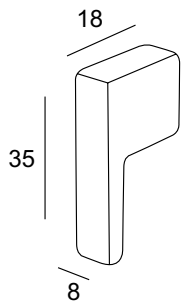
PO 292 O

finiture/finishings: E130
 nero opaco / mat black



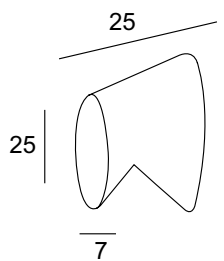
PO 313 Z

finiture/finishings: E101
 alluminio metallizzato opaco / mat metallized aluminium
 G104
 cromato lucido / bright chrome plated
 G124
 nichel lucido satinato con vernice trasparente lucido /
 bright satin nickel with bright transparent paint



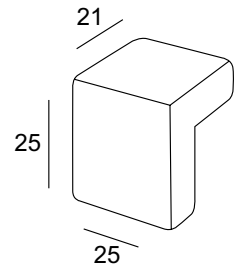
PO 318 Z

finiture/finishings: E101
 alluminio metallizzato opaco / mat metallized aluminium
 E130
 nero opaco / mat black



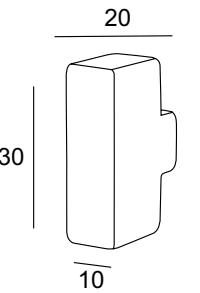
PO 319 Z

finiture/finishings: E101
alluminio metallizzato opaco / mat metallized aluminium
G104
cromato lucido / bright chrome plated
G124
nicel lucido satinato con vernice trasparente lucido /
bright satin nickel with bright transparent paint



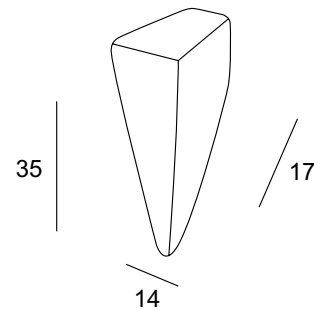
PO 325 Z

finiture/finishings: E101
alluminio metallizzato opaco / mat metallized aluminium
E130
nero opaco / mat black



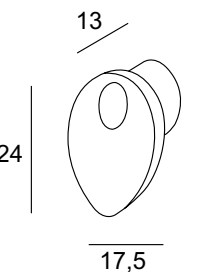
PO 323 Z

finiture/finishings: E101
alluminio metallizzato opaco / mat metallized aluminium
E130
nero opaco / mat black



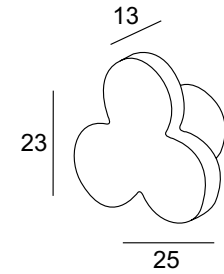
PO 331 Z

finiture/finishings: E101
alluminio metallizzato opaco / mat metallized aluminium
E130
nero opaco / mat black



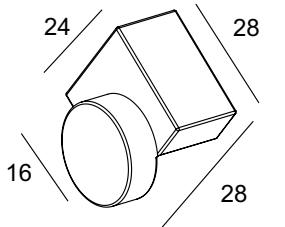
PO 333 Z

finiture/finishings: E101
alluminio metallizzato opaco / mat metallized aluminium
E130
nero opaco / mat black



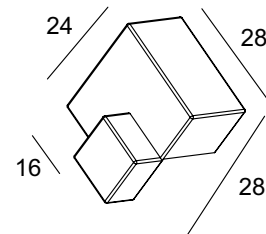
PO 354 Z

finiture/finishings: E101
alluminio metallizzato opaco / mat metallized aluminium
E130
nero opaco / mat black



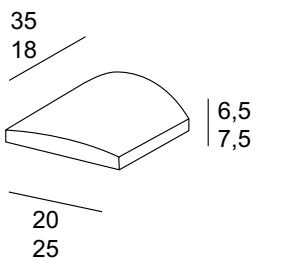
PO 353 Z

finiture/finishings: E101
alluminio metallizzato opaco / mat metallized aluminium
E130
nero opaco / mat black



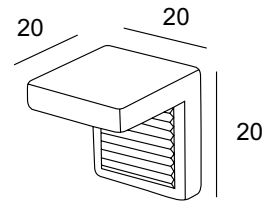
PO 364 Z

finiture/finishings: E101
alluminio metallizzato opaco / mat metallized aluminium



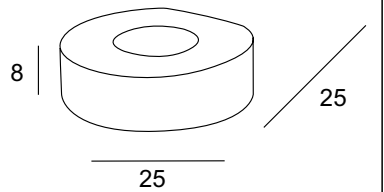
PO 366 Z

finiture/finishings: E228
nero opaco con fondo / mat black with primer



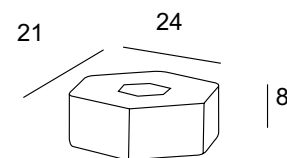
PO 369 Z

finiture/finishings: E101
alluminio metallizzato opaco / mat metallized aluminium
E130
nero opaco / mat black



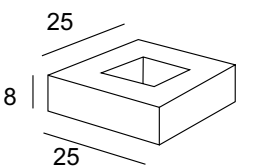
PO 368 Z

finiture/finishings: E101
alluminio metallizzato opaco / mat metallized aluminium
E130
nero opaco / mat black



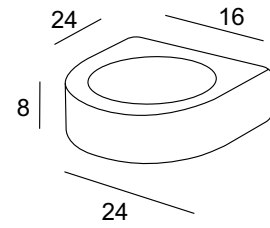
PO 370 Z

finiture/finishings: E101
alluminio metallizzato opaco / mat metallized aluminium
E130
nero opaco / mat black



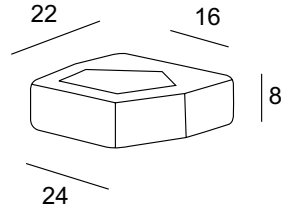
PO 388 Z

finiture/finishings: E230
acciaio opaco metallizzato con fondo /
mat metallized steel with primer



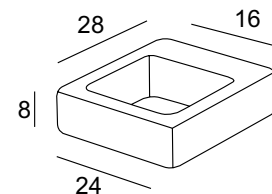
PO 390 Z

finiture/finishings: E230
acciaio opaco metallizzato con fondo /
mat metallized steel with primer



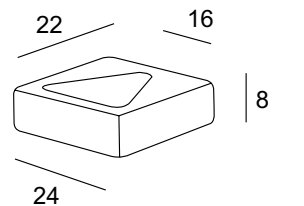
PO 389 Z

finiture/finishings: E230
acciaio opaco metallizzato con fondo /
mat metallized steel with primer



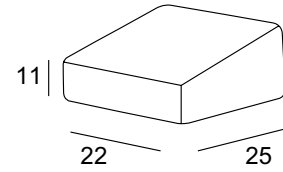
PO 391 Z

finiture/finishings: E230
acciaio opaco metallizzato con fondo /
mat metallized steel with primer



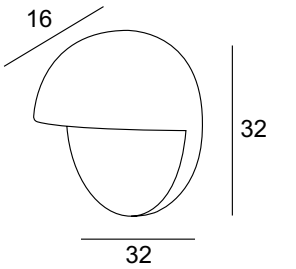
PO 403 Z

finiture/finishings: E230
acciaio opaco metallizzato con fondo /
mat metallized steel with primer



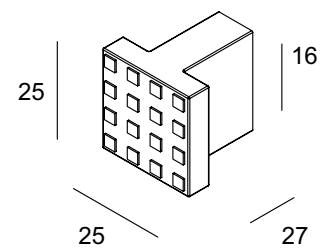
PO 414 Z

finiture/finishings: E230
acciaio opaco metallizzato con fondo /
mat metallized steel with primer



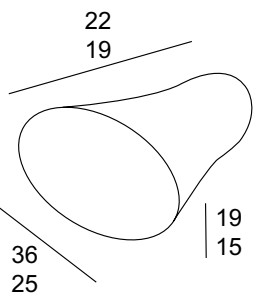
PO 413 Z

finiture/finishings: E228
nero opaco con fondo / mat black with primer



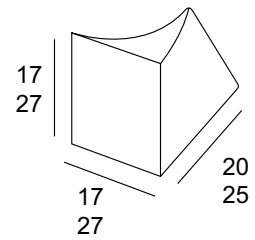
PO 415 Z

finiture/finishings: E230
acciaio opaco metallizzato con fondo /
mat metallized steel with primer



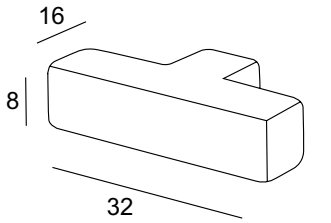
PO 416 Z

finiture/finishings: E230
acciaio opaco metallizzato con fondo /
mat metallized steel with primer



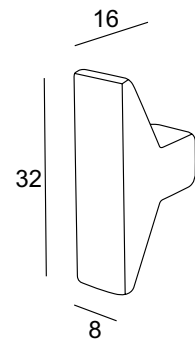
PO 425 Z

finiture/finishings: E230
acciaio opaco metallizzato con fondo /
mat metallized steel with primer



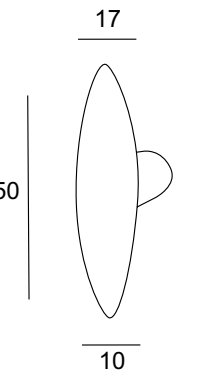
PO 424 Z

finiture/finishings: E230
acciaio opaco metallizzato con fondo /
mat metallized steel with primer



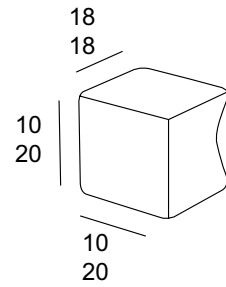
PO 430 Z

finiture/finishings: E216
metallizzato argento mat con fondo /
mat metallized silver with primer



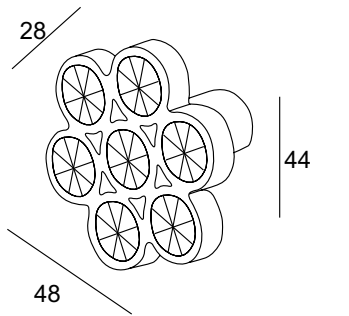
PO 459 Z

finiture/finishings: E101
 alluminio metallizzato opaco / mat metallized aluminium
 G104
 cromato lucido / brigh chrome plated
 G124
 nichel lucido satinato con vernice trasparente lucido /
 bright satin nickel with bright transparent paint



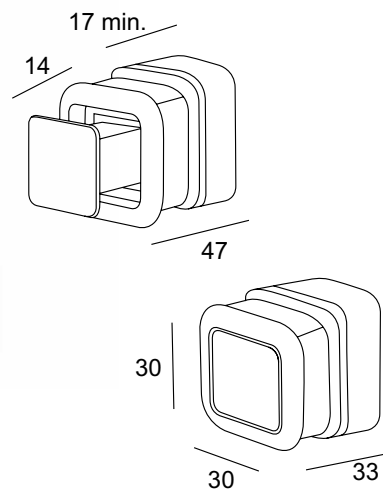
PO 2008 Z

finiture/finishings: Y0672
 cromato lucido con cristallo trasparente /
 bright chrome with transparent crystal



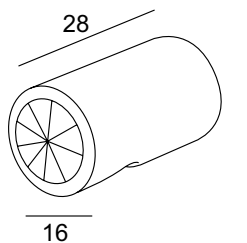
PO 2006 Z

finiture/finishings: E215
 alluminio metallizzato opaco con fondo /
 mat metallized aluminium with primer
 E228
 nero opaco con fondo / mat black with primer



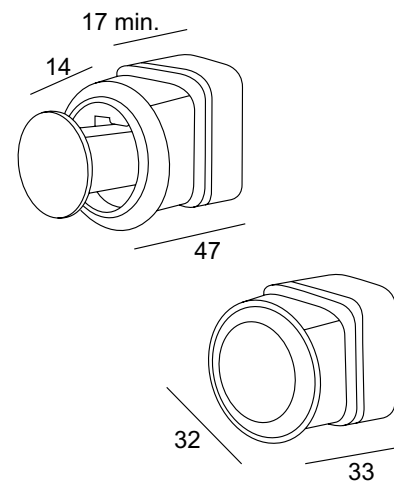
PO 2010 O

finiture/finishings: Y0672
 cromato lucido con cristallo trasparente /
 bright chrome with transparent crystal



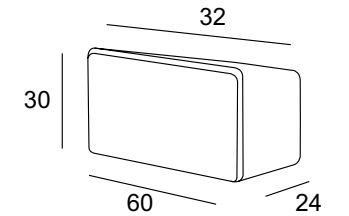
PO 2015 Z

finiture/finishings: E215
alluminio metallizzato opaco con fondo /
mat metallized aluminium with primer
E228
nero opaco con fondo / mat black with primer



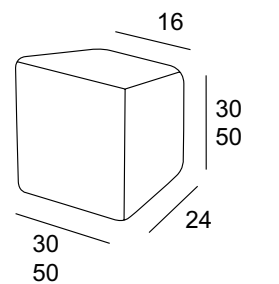
PO 2029 AA

finiture/finishings: AA101
bianco lucido / gloss white
AA104
bianco lucido con decoro nero /
gloss white with black decoration
AA105
bianco lucido con decoro grigio /
gloss white with grey decoration
AA106
bianco lucido con decoro celeste /
gloss white with light blue decoration
PORCELLANA / PORCELAIN



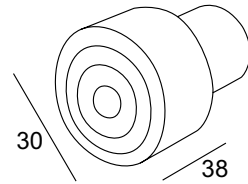
PO 2030 AA

finiture/finishings: AA101
bianco lucido / gloss white
AA104
bianco lucido con decoro nero /
gloss white with black decoration
AA105
bianco lucido con decoro grigio /
gloss white with grey decoration
AA106
bianco lucido con decoro celeste /
gloss white with light blue decoration
PORCELLANA / PORCELAIN



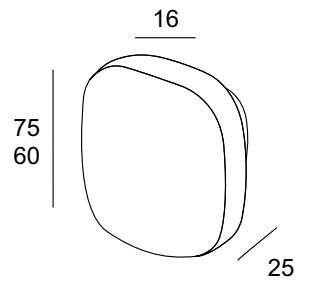
PO 2031 AA

finiture/finishings: AA101
 bianco lucido / gloss white
 AA104
 bianco lucido con decoro nero /
 gloss white with black decoration
 AA105
 bianco lucido con decoro grigio /
 gloss white with grey decoration
 AA107
 bianco lucido con decoro celeste /
 gloss white with light blue decoration
 PORCELLANA / PORCELAIN



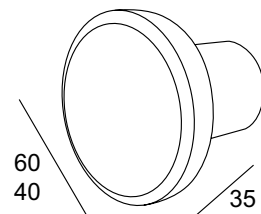
PO 2034 AA

finiture/finishings: AA101
 bianco lucido / gloss white
 AA108
 bianco lucido con decoro oro /
 gloss white with gold decoration
 AA109
 bianco lucido con decoro platino /
 gloss white with platin decoration
 PORCELLANA / PORCELAIN



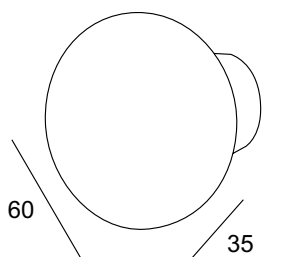
PO 2032 AA

finiture/finishings: AA101
 bianco lucido / gloss white
 AA104
 bianco lucido con decoro nero /
 gloss white with black decoration
 AA105
 bianco lucido con decoro grigio /
 gloss white with grey decoration
 AA107
 bianco lucido con decoro celeste /
 gloss white with light blue decoration
 PORCELLANA / PORCELAIN



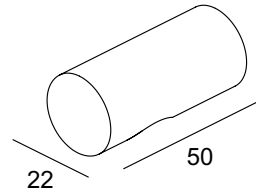
PO 2036 AA

finiture/finishings: AA101
 bianco lucido / gloss white
 PORCELLANA / PORCELAIN



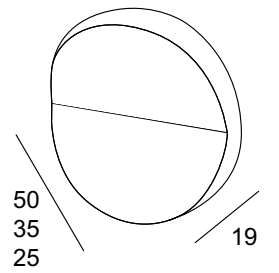
PO 2038 AA

finiture/finishings: AA101
 bianco lucido / gloss white
 PORCELLANA / PORCELAIN



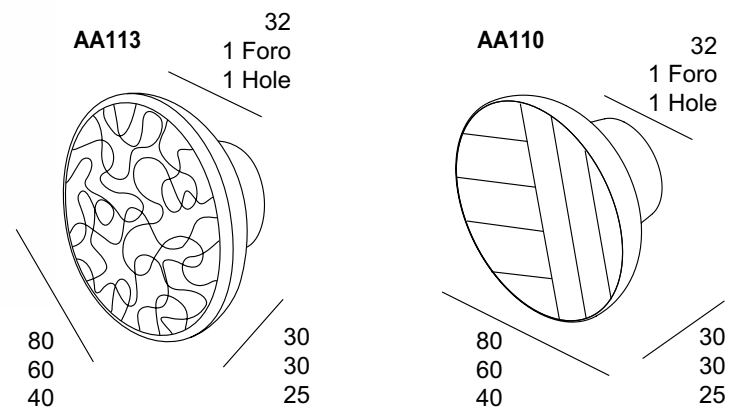
PO 2043 AA

finiture/finishings: AA101
 bianco lucido / gloss white
 AA116
 bianco lucido con decoro magenta /
 gloss white with magenta decoration
 AA117
 bianco lucido con decoro blu /
 gloss white with blue decoration
 PORCELLANA / PORCELAIN



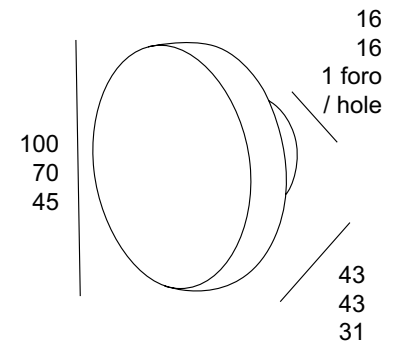
PO 2042 AA

finiture/finishings: AA110
 nero lucido con decoro geometrico bianco /
 gloss black with white geometric decoration
 AA113
 nero lucido con decoro scribble bianco /
 gloss black with white scribble decoration
 PORCELLANA / PORCELAIN



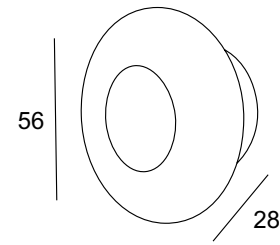
PO 2044 AA

finiture/finishings: AA101
 bianco lucido / gloss white
 PORCELLANA / PORCELAIN



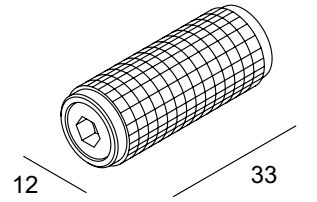
PO 2046 AA

finiture/finishings: AA101
 bianco lucido / gloss white
 AA102
 nero opaco / mat black
 AA103
 grigio opaco / mat grey
 PORCELLANA / PORCELAIN



PO 2087 X

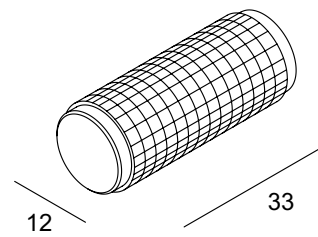
finiture/finishings: E228
 nero opaco con fondo / mat black with primer
 X102
 acciaio inox godronato / knurled stainless steel



vite in acciaio inox - inox screw

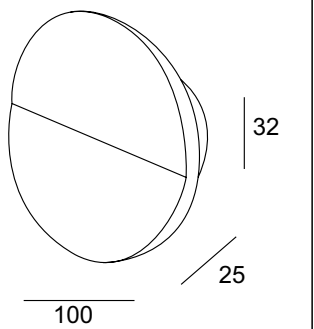
PO 2086 X

finiture/finishings: E228
 nero opaco con fondo / mat black with primer
 X102
 acciaio inox godronato / knurled stainless steel



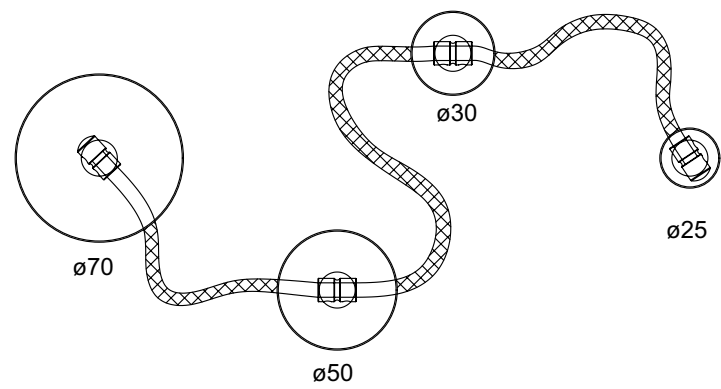
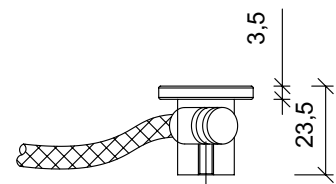
PO 2095 Z

finiture/finishings: E228
 nero opaco con fondo / mat black with primer



PO 2100 KT

finiture/finishings: E228E228AR
nero opaco con fondo con corda arancio /
mat black with primer with orange rope
E228E228NT
nero opaco con fondo con corda naturale /
mat black with primer with natural rope

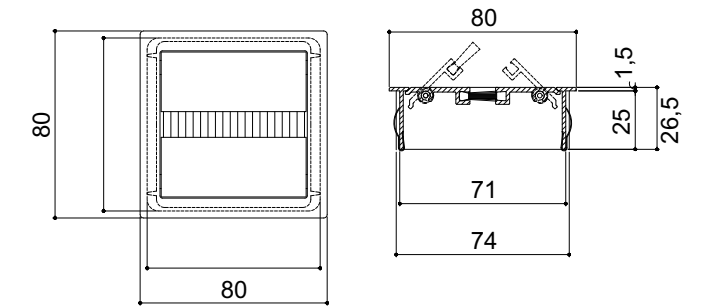


PASSACAVI CABLE OUTLETS



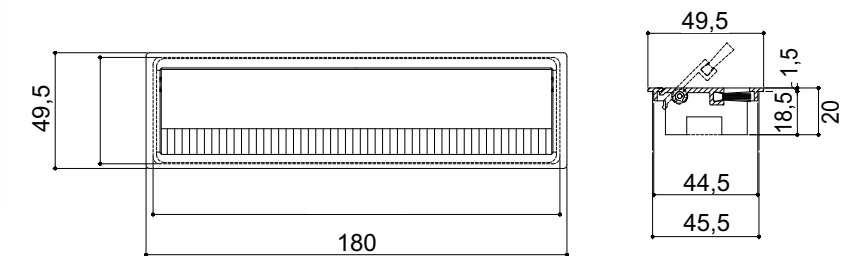
PC 2000 Z

finiture/finishings: E215
 alluminio metallizzato opaco con fondo /
 mat metallized aluminium with primer
 EB041
 bianco opaco con fondo / mat white with primer
 EN028
 nero opaco con fondo / mat black with primer



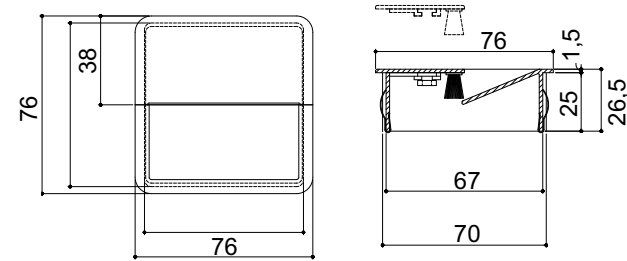
PC 2000 Z

finiture/finishings: E215
 alluminio metallizzato opaco con fondo /
 mat metallized aluminium with primer
 EB041
 bianco opaco con fondo / mat white with primer
 EN028
 nero opaco con fondo / mat black with primer



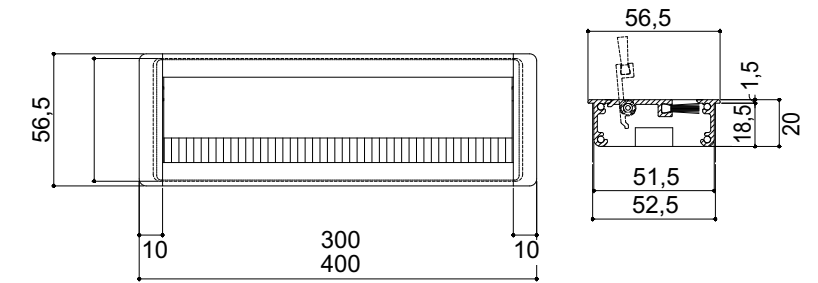
PC 2001 Z

finiture/finishings: E215
alluminio metallizzato opaco con fondo /
mat metallized aluminium with primer
E228
nero opaco con fondo / mat black with primer



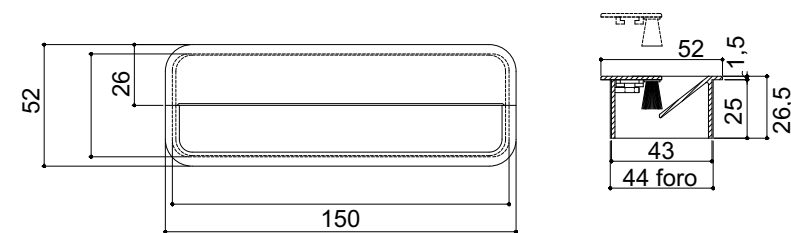
PC 2003 I

finiture/finishings: E215
alluminio metallizzato opaco con fondo /
mat metallized aluminium with primer
E228
nero opaco con fondo / mat black with primer



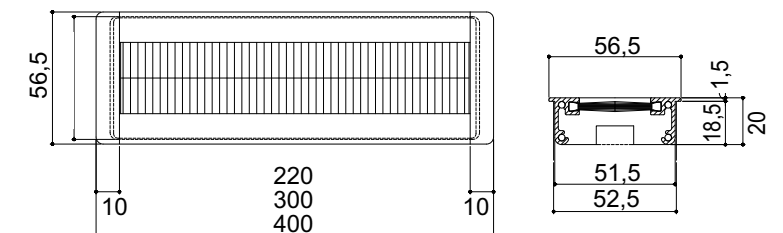
PC 2001 Z

finiture/finishings: E215
alluminio metallizzato opaco con fondo /
mat metallized aluminium with primer
E228
nero opaco con fondo / mat black with primer



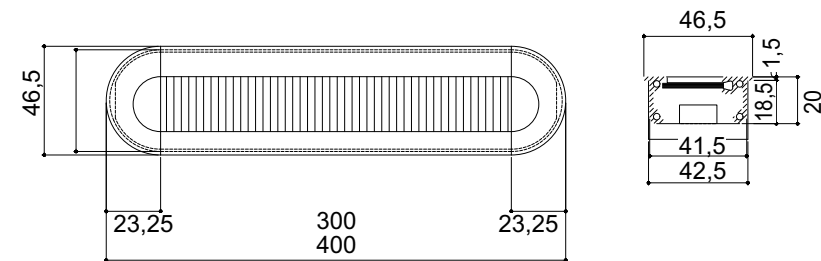
PC 2004 I

finiture/finishings: E215
alluminio metallizzato opaco con fondo /
mat metallized aluminium with primer
E228
nero opaco con fondo / mat black with primer



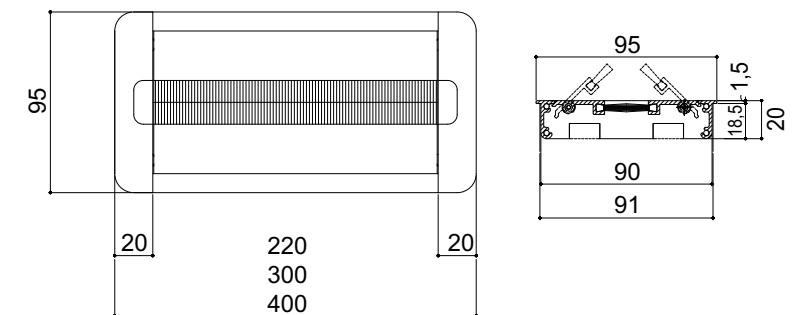
PC 2005 I

finiture/finishings: E215
 alluminio metallizzato opaco con fondo /
 mat metallized aluminium with primer
 E228
 nero opaco con fondo / mat black with primer



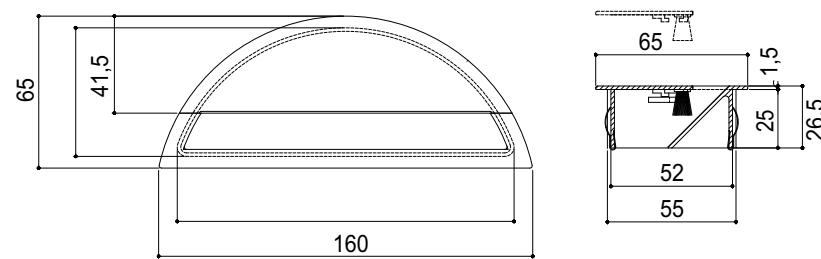
PC 2007 I

finiture/finishings: E215
 alluminio metallizzato opaco con fondo /
 mat metallized aluminium with primer
 E228
 nero opaco con fondo / mat black with primer



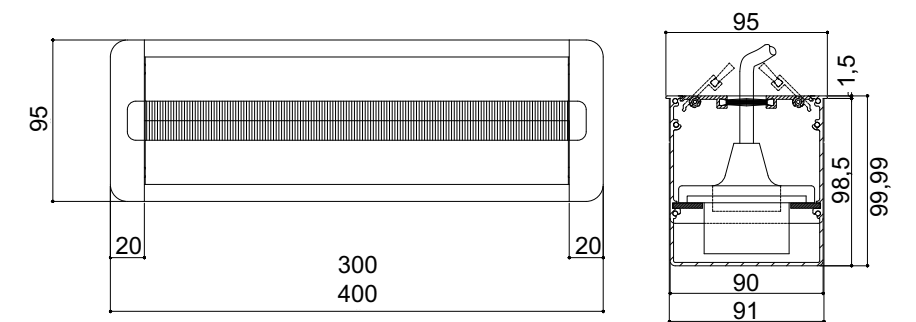
PC 2006 Z

finiture/finishings: E228
 nero opaco con fondo / mat black with primer



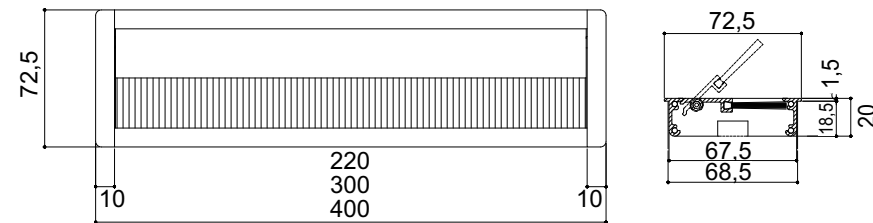
PC 2008 I

finiture/finishings: E215Q102
 metallizzato alluminio opaco con fondo
 con slitta in plexiglass grigio /
 mat metallized aluminium
 with primer with grey plexiglass slide
 E228Q102
 nero opaco con fondo con slitta in plexiglass grigio /
 mat black with primer with grey plexiglass slide



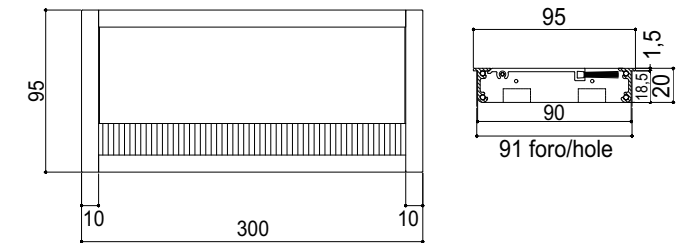
PC 2009 I

finiture/finishings: E215
alluminio metallizzato opaco con fondo /
mat metallized aluminium with primer



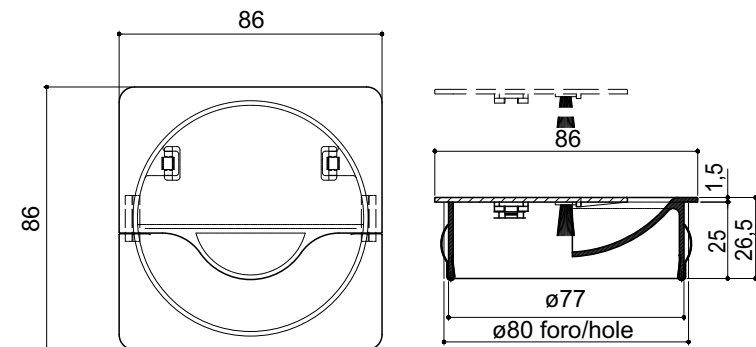
PC 2040 I

finiture/finishings: E215
alluminio metallizzato opaco con fondo /
mat metallized aluminium with primer
E228
nero opaco con fondo /
mat black with primer



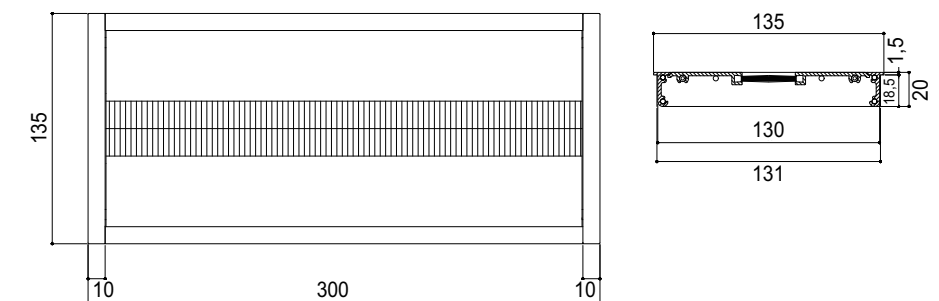
PC 2026 Z

finiture/finishings: E215
alluminio metallizzato opaco con fondo /
mat metallized aluminium with primer
E228
nero opaco con fondo / mat black with primer
E229
bianco opaco con fondo / mat white with primer
G104
cromato lucido / bright chrome plated



PC 2062 I

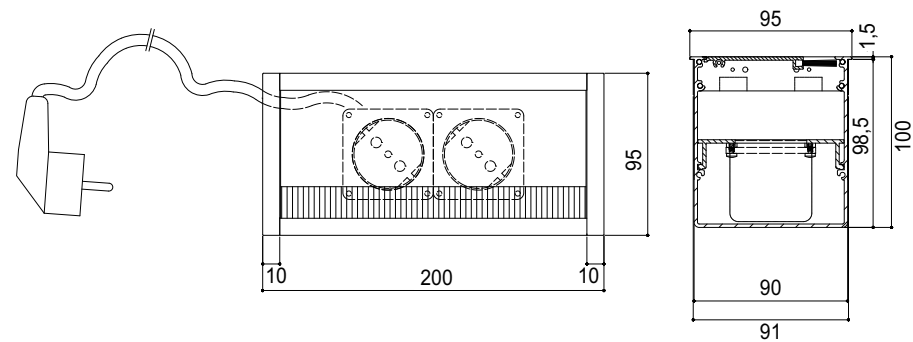
finiture/finishings: E215
alluminio metallizzato opaco con fondo /
mat metallized aluminium with primer
E228
nero opaco con fondo / mat black with primer



PC 3001 I



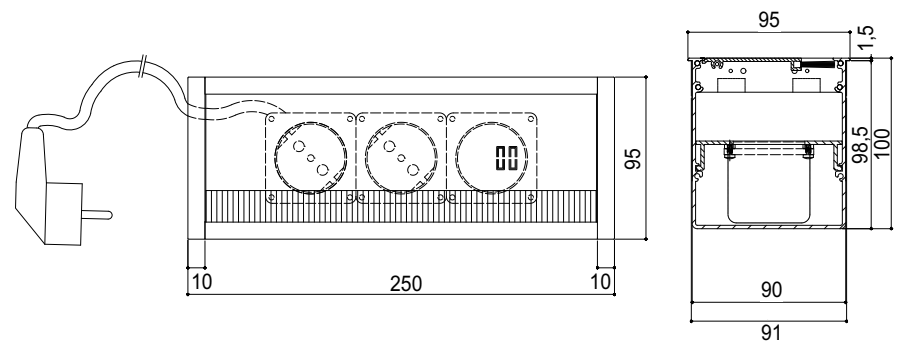
finiture/finishings: E215
alluminio metallizzato opaco con fondo con n.2 prese schuko a 45° incluso cavo finale con presa schuko /
mat metallized aluminium with primer with n.2 shuko at 45° sockets including final cable with schuko plug
E228
nero opaco con fondo con n.2 prese schuko a 45° incluso cavo finale con presa schuko /
mat black with primer with n.2 shuko at 45° sockets including final cable with schuko plug
E229
bianco opaco con fondo con n.2 prese schuko a 45° incluso cavo finale con presa schuko /
mat white with primer with n.2 shuko at 45° sockets including final cable with schuko plug



PC 3002 I



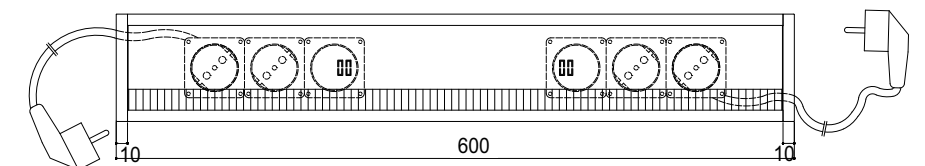
finiture/finishings: E215
alluminio metallizzato opaco con fondo con n.2 prese schuko a 45° incluso cavo finale con presa schuko /
mat metallized aluminium with primer with n.2 shuko at 45° sockets including final cable with schuko plug
E228
nero opaco con fondo con n.2 prese schuko a 45° incluso cavo finale con presa schuko /
mat black with primer with n.2 shuko at 45° sockets including final cable with schuko plug
E229
bianco opaco con fondo con n.2 prese schuko a 45° incluso cavo finale con presa schuko /
mat white with primer with n.2 shuko at 45° sockets including final cable with schuko plug



PC 3003 I

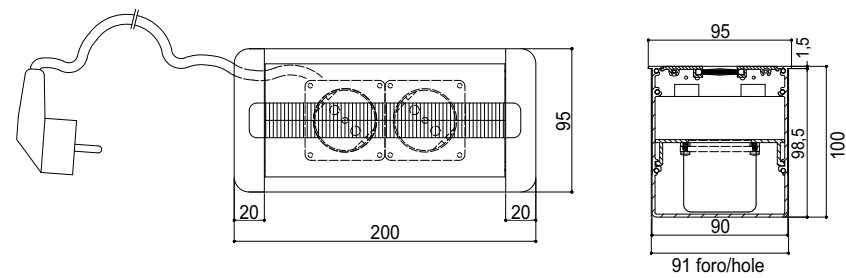


finiture/finishings: E228
nero opaco con fondo con n.2 prese schuko a 45° incluso cavo finale con presa schuko /
mat black with primer with n.2 shuko at 45° sockets including final cable with schuko plug



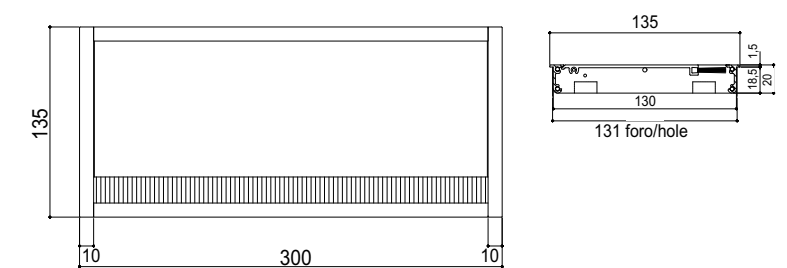
PC 3014 I

finiture/finishings: E228
 nero opaco con fondo con n.2 prese schuko a 45°
 incluso cavo finale con presa schuko /
 mat black with primer with n.2 shuko at 45° sockets
 including final cable with schuko plug



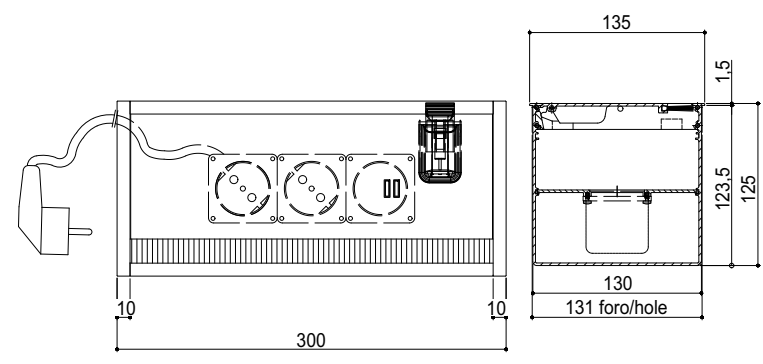
PC 4001 I con ammortizzatore with soft closing system

finiture/finishings: E215
 alluminio metallizzato opaco con fondo /
 mat metallized aluminium with primer
 E228
 nero opaco con fondo / mat black with primer
 E229
 bianco opaco con fondo / mat white with primer



PC 4005 I
con ammortizzatore
with soft closing system

finiture/finishings: E228
 nero opaco con fondo con n.2 prese schuko a 45°
 incluso cavo finale con presa schuko /
 mat black with primer with n.2 shuko at 45° sockets
 including final cable with schuko plug

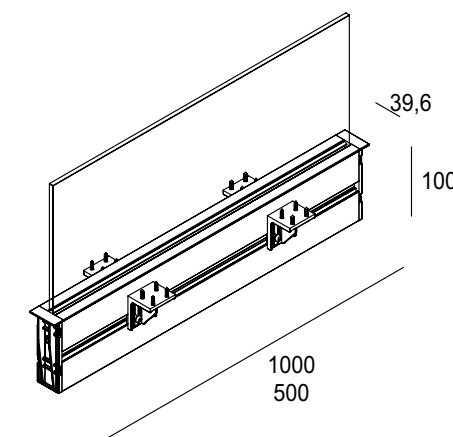


**PASSAVETRO
GLASS HOLDER**

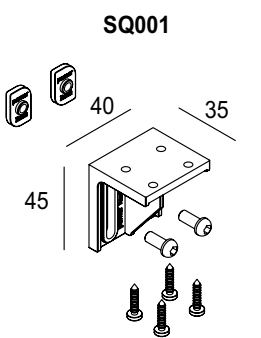
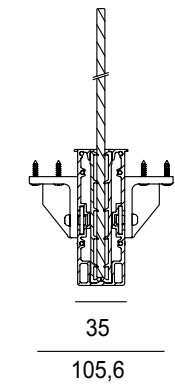


PPV 001 I SQ001ZKT

finiture/finishings: E202
nero opaco / mat black



spessore vetro 6-8 mm
glass tickness 6-8 mm

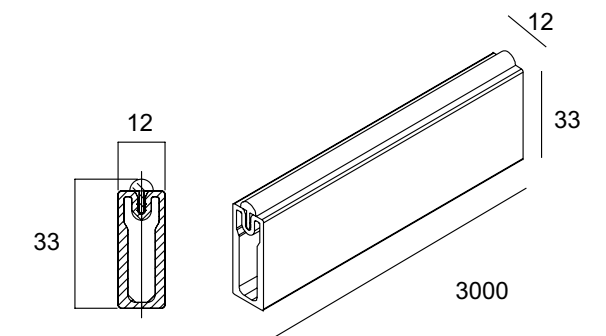


**TUBI E ACCESSORI
TUBES AND ACCESSORIES**



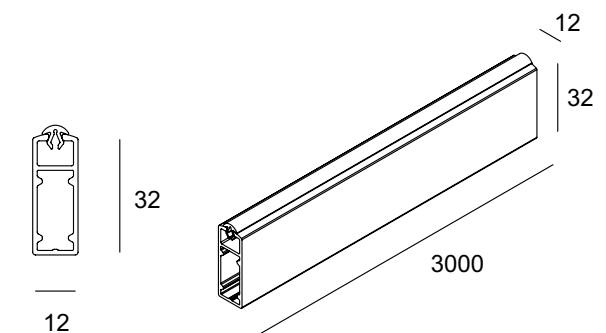
TJ 3012 I

finiture/finishings: E2020129
 nero opaco con guarnizione in gomma trasparente /
 mat black with transparent rubber gasket
 E4050129
 bronzo opaco con guarnizione in gomma trasparente /
 mat bronze with transparent rubber gasket
 I1010129
 alluminio anodizzato zero chimico
 con guarnizione in gomma trasparente /
 zero chemical anodized aluminium
 with transparent rubber gasket



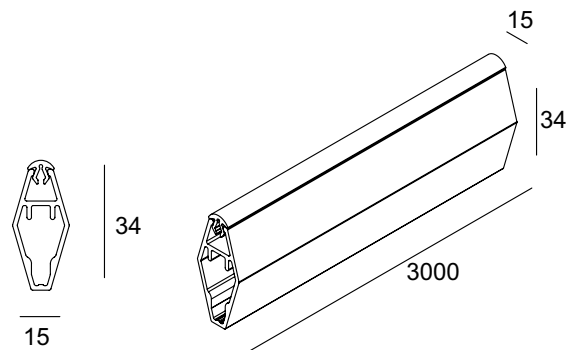
TU 3001 I

finiture/finishings: E2020129
 nero opaco con guarnizione in gomma trasparente /
 mat black with transparent rubber gasket
 E4050129
 bronzo opaco con guarnizione in gomma trasparente /
 mat bronze with transparent rubber gasket
 I1010129
 alluminio anodizzato zero chimico
 con guarnizione in gomma trasparente /
 zero chemical anodized aluminium
 with transparent rubber gasket



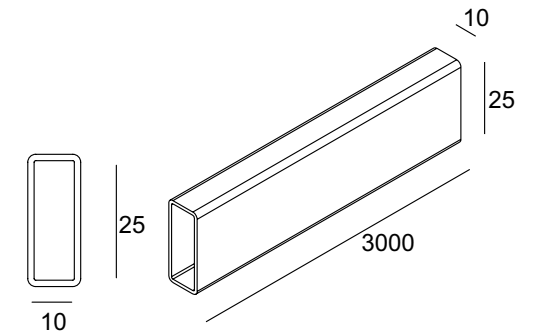
TU 3003 I

finiture/finishings: E2020129
 nero opaco con guarnizione in gomma trasparente /
 mat black with transparent rubber gasket
 I1010129
 alluminio anodizzato zero chimico
 con guarnizione in gomma trasparente /
 zero chemical anodized aluminium
 with transparent rubber gasket
 E4050129
 bronzo opaco con guarnizione in gomma trasparente /
 mat bronze with transparent rubber gasket



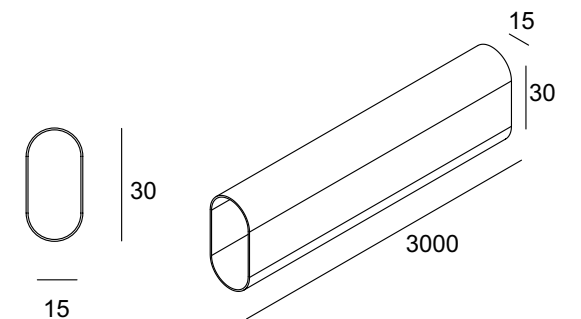
TL 2510 L

finiture/finishings: G104
 cromato lucido / brigh chrome plated



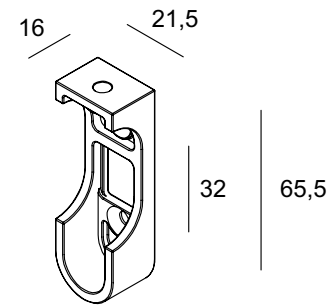
TV 3015 L

finiture/finishings: G104
 cromato lucido / brigh chrome plated



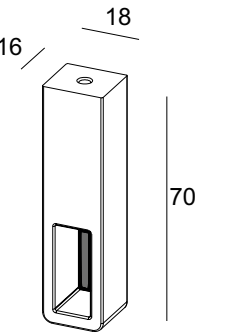
VR 042 Z

finiture/finishings: G104
cromato lucido / brigh chrome plated
adatto per / suitable for: TV 3015 L



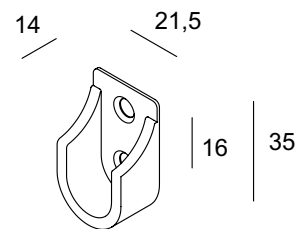
VR 085 Z

finiture/finishings: G104
cromato lucido / brigh chrome plated
adatto per / suitable for: TL 2510 L



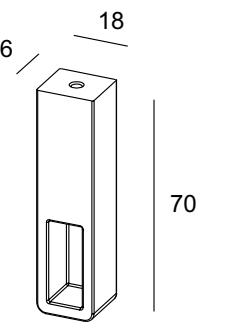
VR 046 Z

finiture/finishings: G104
cromato lucido / brigh chrome plated
adatto per / suitable for: TV 3015 L



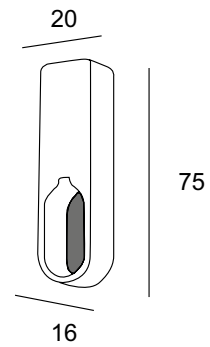
VR 086 Z

finiture/finishings: G104
cromato lucido / brigh chrome plated
adatto per / suitable for: TL 2510 L



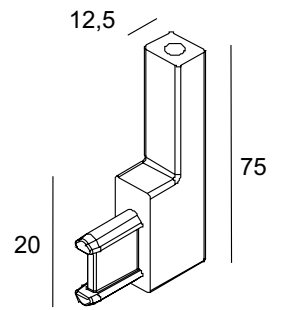
VR 098 Z

finiture/finishings: G104
cromato lucido / brigh chrome plated
adatto per / suitable for: TV 3015 L



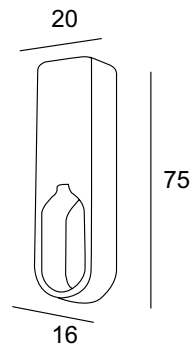
VR 160 Z

finiture/finishings: E101
alluminio metallizzato opaco / mat metallized aluminium
E130
nero opaco / mat black
E405
metallizzato bronzo opaco / mat metallized bronze
adatto per / suitable for: TJ 3012 I



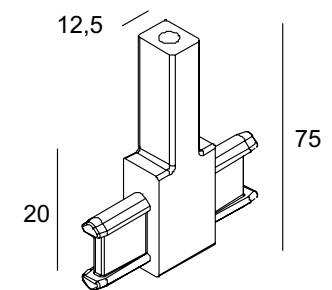
VR 099 Z

finiture/finishings: G104
cromato lucido / brigh chrome plated
adatto per / suitable for: TV 3015 L



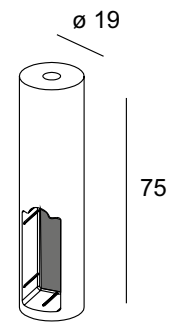
VR 161 Z

finiture/finishings: E101
alluminio metallizzato opaco / mat metallized aluminium
E130
nero opaco / mat black
E405
metallizzato bronzo opaco / mat metallized bronze
adatto per / suitable for: TJ 3012 I



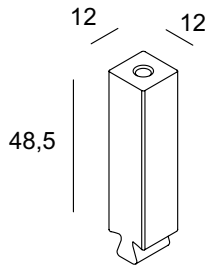
VR 167 Z

finiture/finishings: E101
alluminio metallizzato opaco / mat metallized aluminium
E130
nero opaco / mat black
E221
metallizzato bronzo opaco / mat metallized bronze
adatto per / suitable for: TJ 3012 I



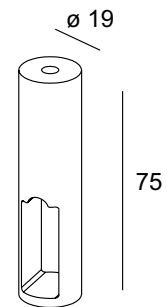
VR 176 Z

finiture/finishings: E101
alluminio metallizzato opaco / mat metallized aluminium
E130
nero opaco / mat black
E221
metallizzato bronzo opaco / mat metallized bronze
adatto per / suitable for: TU 3001 I



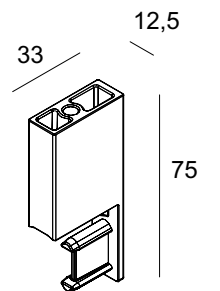
VR 168 Z

finiture/finishings: E101
alluminio metallizzato opaco / mat metallized aluminium
E130
nero opaco / mat black
E221
metallizzato bronzo opaco / mat metallized bronze
adatto per / suitable for: TJ 3012 I



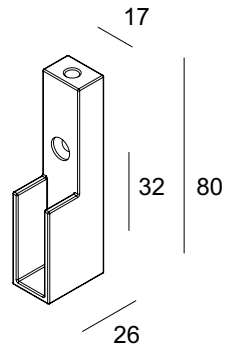
VR 182 Z

finiture/finishings: E101
alluminio metallizzato opaco / mat metallized aluminium
E130
nero opaco / mat black
E221
metallizzato bronzo opaco / mat metallized bronze
adatto per / suitable for: TU 3001 I



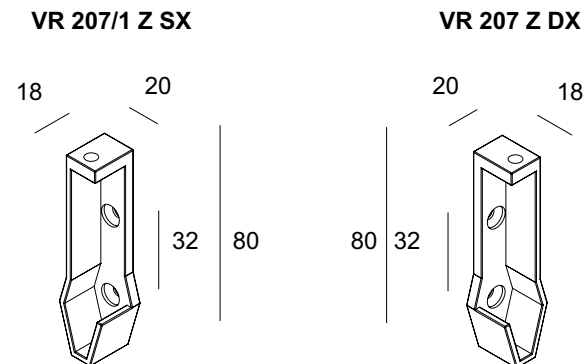
VR 206 Z

finiture/finishings: E101
alluminio metallizzato opaco / mat metallized aluminium
E130
nero opaco / mat black
E221
metallizzato bronzo opaco / mat metallized bronze
adatto per / suitable for: TJ 3012 I e TU 3001 I



VR 207 Z dx VR 207/1 Z sx

finiture/finishings: E101
alluminio metallizzato opaco / mat metallized aluminium
E130
nero opaco / mat black
E221
metallizzato bronzo opaco / mat metallized bronze
adatto per / suitable for: TU 3003 I



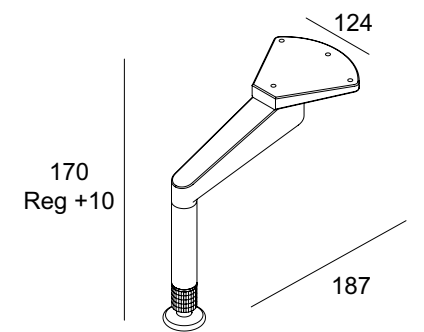
**PIEDINI
FEET**



PG 025 /12 Z
(REGOLABILE / ADJUSTABLE)

finiture/finishings: E101
alluminio metallizzato opaco / mat metallized aluminium
E130
nero opaco / mat black

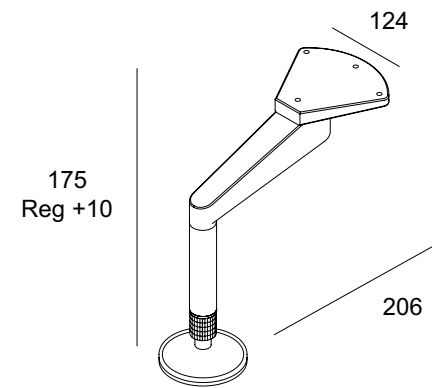
altezza minima / minimum height: 170 mm



PG 025 /9 Z
(REGOLABILE / ADJUSTABLE)

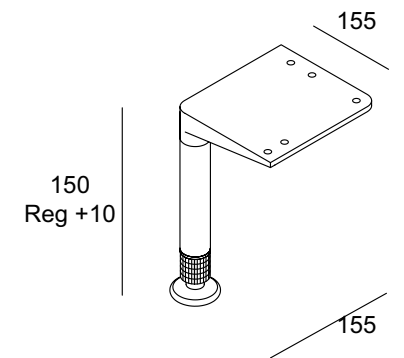
finiture/finishings: E101
 alluminio metallizzato opaco / mat metallized aluminium
 E130
 nero opaco / mat black

altezza minima / minimum height: 175 mm



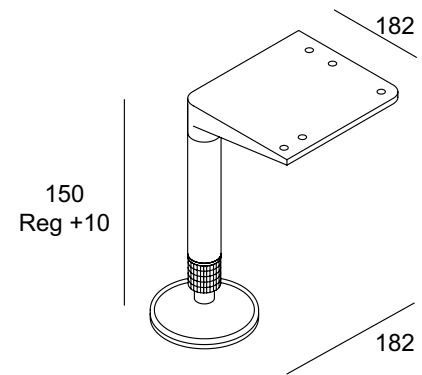
PG 027 /12 Z
(REGOLABILE / ADJUSTABLE)

finiture/finishings: E101
 alluminio metallizzato opaco / mat metallized aluminium
 E130
 nero opaco / mat black



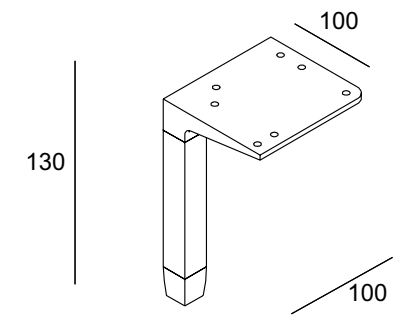
PG 027 /9 Z
(REGOLABILE / ADJUSTABLE)

finiture/finishings: E101
 alluminio metallizzato opaco / mat metallized aluminium
 E130
 nero opaco / mat black



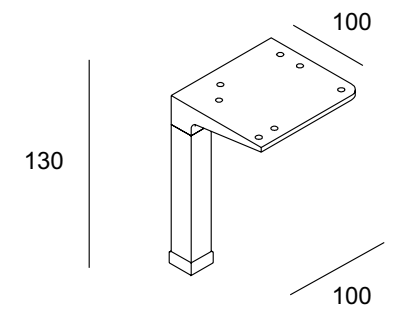
PU 026 /1 Z

finiture/finishings: E101
 alluminio metallizzato opaco / mat metallized aluminium
 E130
 nero opaco / mat black



PU 026 /3 Z

finiture/finishings: E101
 alluminio metallizzato opaco / mat metallized aluminium
 E130
 nero opaco / mat black

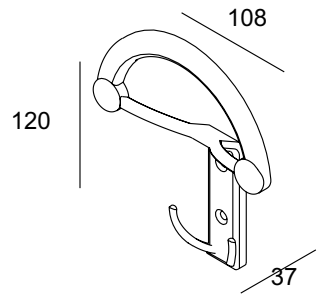


**PORTABITI
HOOKS**



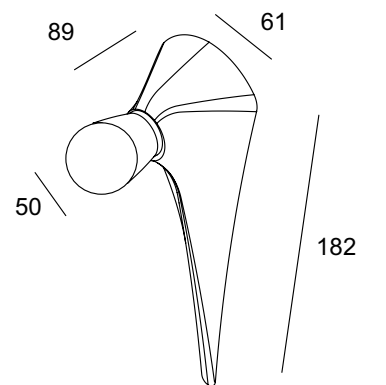
PA 055 Z

finiture/finishings: E101
alluminio metallizzato opaco / mat metallized aluminium
E130
nero opaco / mat black



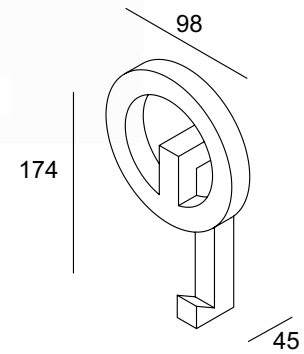
PA 056 Z

finiture/finishings: E101
alluminio metallizzato opaco / mat metallized aluminium
E130
nero opaco / mat black



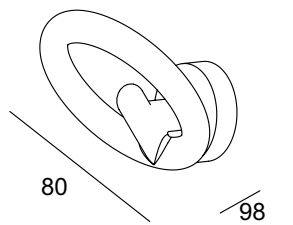
PA 059 Z

finiture/finishings: E101
alluminio metallizzato opaco / mat metallized aluminium
E130
nero opaco / mat black



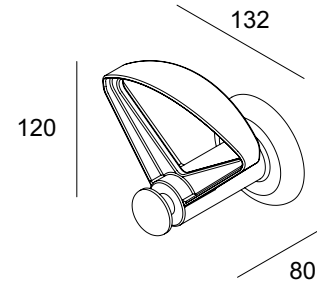
PA 060 Z

finiture/finishings: E101
alluminio metallizzato opaco / mat metallized aluminium
E130
nero opaco / mat black



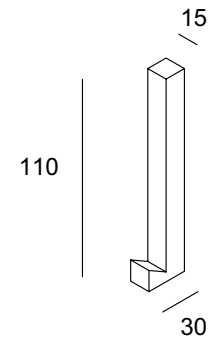
PA 062 Z

finiture/finishings: E101
alluminio metallizzato opaco / mat metallized aluminium
E130
nero opaco / mat black



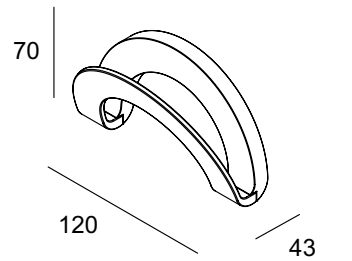
PA 068 Z

finiture/finishings: E101
alluminio metallizzato opaco / mat metallized aluminium
E130
nero opaco / mat black



PA 072 Z

finiture/finishings: G104
cromato lucido / bright chrome plated

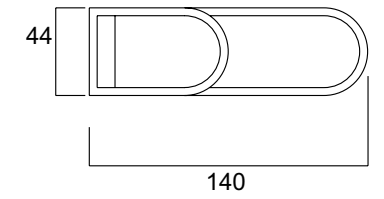


**REGGIMENSOLE
SHELF HOLDERS**



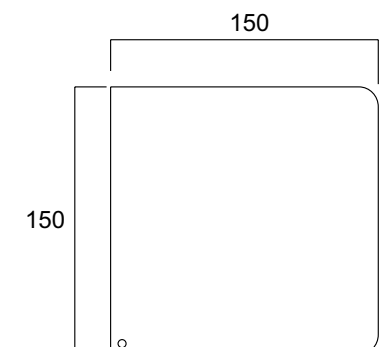
RM 009 Z

finiture/finishings: G104
cromato lucido / brigh chrome plated
G124
nichel lucido satinato con vernice trasparente lucido /
bright satin nickel with bright transparent paint



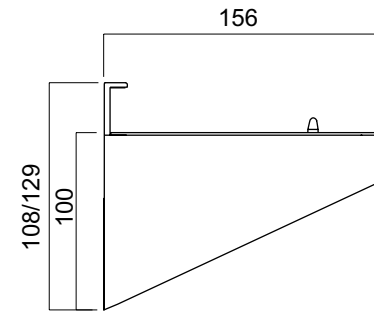
RM 010 X

finiture/finishings: X103
acciaio inox lucido / bright stainless steel



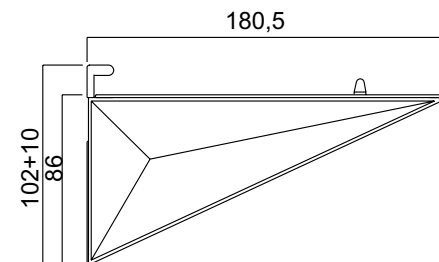
RM 012 Z

finiture/finishings: E215
alluminio metallizzato opaco con fondo /
mat metallized aluminium with primer
E228
nero opaco con fondo / mat black with primer



RM 013 Z

finiture/finishings: E215
alluminio metallizzato opaco con fondo /
mat metallized aluminium with primer
G104
cromato lucido / brigh chrome plated



PRIVACY

I modelli Pamar sono protetti da brevetto internazionale.
La contraffazione sarà perseguita a termine di legge.

International patents have been deposited for Pamar models.
Imitations will be punished by law.

Die Modelle Pamar sind durch internationales Patent geschützt.
Fälschungen sind strafbar und werden gesetzmäßig verfolgt.

Les modèles Pamar sont couverts par un brevet international.
La contrefaçon sera poursuivie aux termes de la loi.

Los modelos Pamar están protegidos por patente internacional.
La imitación será demandada según las leyes.

AVVERTENZA

Pamar Srl si riserva la facoltà di modificare le caratteristiche tecniche degli elementi illustrati nel presente catalogo in qualunque momento che si ritiene necessario.
Descrizioni, foto, colori e misure indicate per i prodotti presenti in catalogo sono solamente indicativi.

ATTENTION

Pamar Srl reserves the right to change technical specifications of products illustrated in this catalogue at any time it deems necessary.
Descriptions, photos, finishes and product sizes showed in the catalogue are not binding.

photo

Lorenzo Pennati
Andrea Basile

copy, translations and supervisor

Elena Redaelli

print and color separation

Grafica Gioia

proudly powered by

Pamar S.r.l.
via Sirtori, 41 - 20838 Renate (MB) - Italy
t +39 0362 924661/2/3 - f +39 0362 924612
pamar@pamar.it www.pamar.it

